

HRS Series On/Off & Proportional Electric Actuators

OVERVIEW

HRS SERIES ELECTRIC ACTUATORS



Non-Declutchable
Manual Override System
Suitable for use with overhead
chain-wheel installations

Powder Coated Aluminum Alloy
NEMA 4/4X/IP67 Enclosure

Raised Position Indicator

(2) Conduit Entry
Ports, Cable or
Conduit Compliant



Local Control Station Options
Featuring Key Lockout, LCD
Display and LED Indicator Display

Self Locking Epicyclic Transmission and
Low Pull-Force Worm Override Design



SAFE
Fail-Safe Battery
Backup Options



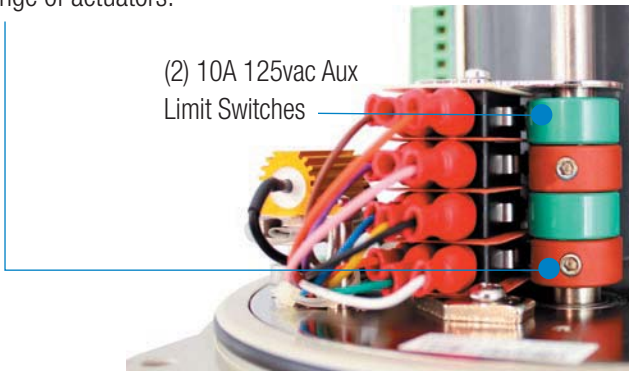
OVERVIEW

Hayward's HRS Series electric actuators are designed and produced to provide years of service in demanding industrial environments such as chemical processing, waste and water treatment, power generation, oil & gas, marine, mining and building services. These quarter-turn units drive dampers, ball valves, butterfly valves or inlet guide vanes that require torque ranges from 300 lbf-in up through 177,000 lbf-in. The HR Series housings are designed to meet NEMA 4X environmental demands, with ISO5211 compliant mounting that readily mounts up to most valves in the industries served. Featuring an epicyclic transmission system, the HR Series provides highly efficient multiplication of motor power to produce uniquely compact torque ranges compared to other technologies. A clutch-free manual override system provides full-time override capabilities during powered or un-powered events, and allows for simple adaptation for overhead chain-wheel drive installations.

UNDER THE HOOD

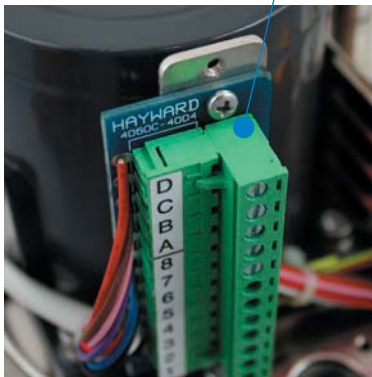
COLOR CODED CAM SYSTEM

Easily accessible travel and auxiliary switch cams are color coded to provide instant recognition of the CW or CCW cams when making stroke adjustments. Cam positions are easily changed by utilizing 2.5mm setscrews across the entire HRS range of actuators.

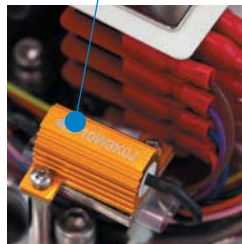


PLUG & PLAY WIRING

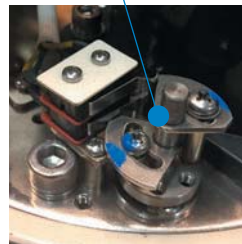
Clean, Easily Accessible Internal Wiring Layout, Removable Wire Receiver for Ease of Install



STANDARD ANTI-CONDENSATE HEATER



TORQUE SWITCH



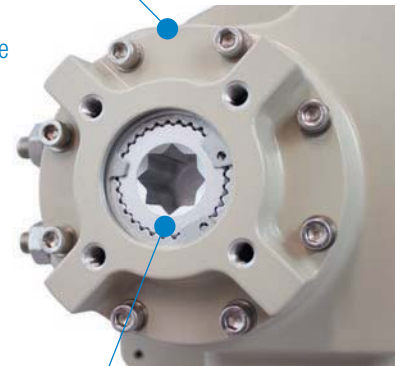
Pre Calibrated Torque Switch, Factory Set and not for field adjustment. Provides the utmost in over torque protection for the most sensitive of applications. All Torque forces are measured mechanically directly from the gear train.

ISO VERSATILITY

Following ISO principle, the Hayward HRS Series line of actuation offers complete versatility with a wide range of ISO compliant flanges and interchangeable drive sockets.

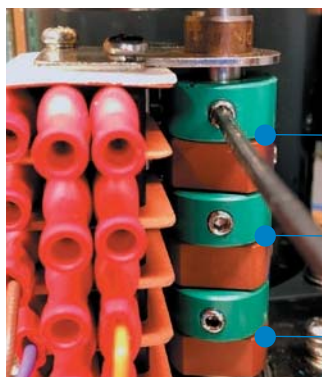
ISO 5211 MOUNTING FLANGE

- Double Square
- Square
- Double D
- Rounded Key



INTERCHANGEABLE BUSHING

Externally Accessible Adjustable Mechanical Stops



- (2) Optional AUX Switches
(Dry Contact Close / Dry Contact Open)
- (2) STANDARD AUX SWITCHES
(Dry Contact Close / Dry Contact Open)
- (2) Motor Close / Motor Open

DIGITAL/ANALOG TIMER KIT

The 7-day timer offers two channels with daily and weekly programming functionality. High accuracy of timing, user-friendly interface and clear LCD display offers convenience and reliability for timing/scheduled applications.



QUICK & DISCOUNTED PRICING
CLICK HERE
 OR CALL (908) 362-9981



TYPE CK



TYPE CB

HRCK2, HRCB2 Series Electric Actuator Local Control



FOR BALL UP TO 6" AND BUTTERFLY VALVES UP TO 4"

KEY FEATURES

- Local Control Stations allow stand-alone or isolated operation from PLC systems
- CK Type has Knob/Key Type Switches
- CB Type has Knob/Knob Type Switches
- Up to 440"lbs torque for ball valves up to 6" and butterfly valves up to 4"
- 120VAC operation standard, with 24VAC/VDC, 230VAC options available
- Units equipped with two (2) volt-free Form A Auxiliary switches
- Anti-Condensate heater standard
- ISO5211 compliant mechanical mount w/ double-square female drive socket
- One (1) 1/2" EMT port for ease of field wiring
- NEMA 4/4x/IP67 Compliant (CB Type)
- NEMA 4/4x/IP65 Compliant (CK Type)
- Raised visual position indicator in high contrast red/green color

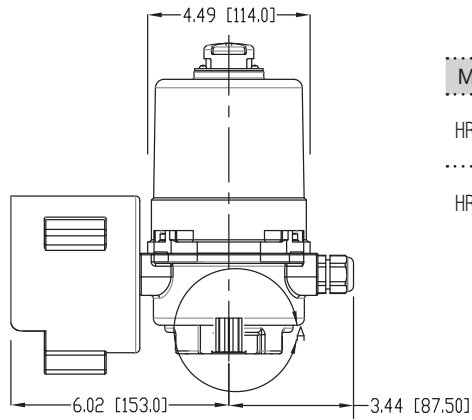
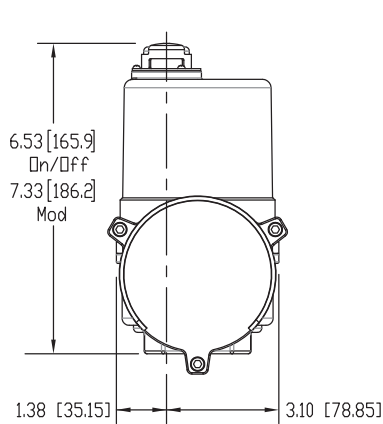
HRSN2
 HRSN3
 HRSN4
 HRSN5

TECHNICAL INFORMATION

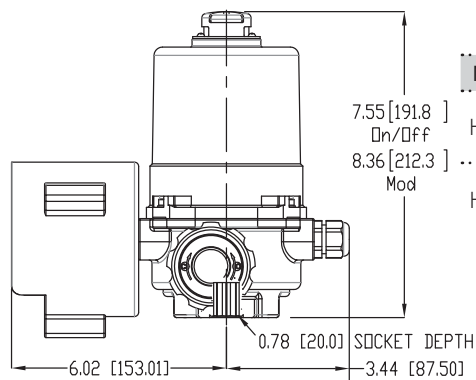
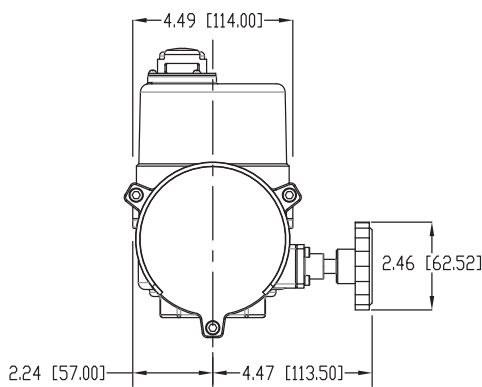
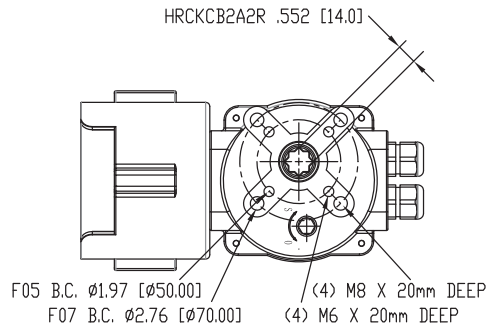
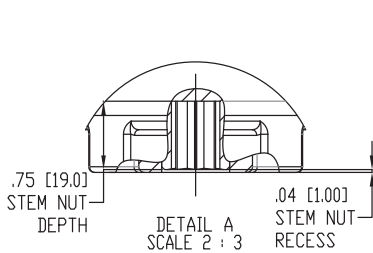
ACTUATOR SPECIFICATIONS		HRCK2A, HRCB2A	HRCK2B, HRCB2B	HRCK2R, HRCB2R	HRCK2S, HRCB2S
Supply	Torque Output (lbf-in / Nm)	310 / 35	310 / 35	440 / 50	440 / 50
24VAC	Current Draw (Start / Run / LRA)	2.1A / 1.2A / 2.3A	2.1A / 1.2A / 2.3A	2.1A / 1.2A / 2.3A	2.1A / 1.2A / 2.3A
24VDC	Speed (90°) DC, seconds	8	8	10	10
	Motor - 24vdc Perm Magnet Brush Type	6W	6W	6W	6W
120V	Current Draw (Start / Run / LRA)	.39A / .36A / .48A	.39A / .36A / .48A	.39A / .36A / .48A	.39A / .36A / .48A
	Speed (90°) 60Hz / 50Hz, seconds	9.2 / 11	9.2 / 11	12.5 / 15	12.5 / 15
	Motor - 120vac Split-Phase Cap TENV	10W	10W	10W	10W
230V	Current Draw (Start / Run / LRA)	.23A / .21A / .28A	.23A / .21A / .28A	.23A / .21A / .28A	.23A / .21A / .28A
	Speed (90°) 60Hz / 50Hz, seconds	9.2 / 11	9.2 / 11	12.5 / 15	12.5 / 15
	Motor - 120vac Split-Phase Cap TENV	10W	10W	10W	10W
All	Manual Override	Bottom 8mm Hex Shaft	Hand Wheel	Bottom 8mm Hex Shaft	Hand Wheel
	Ambient Operating Range	-22°F to +158°F (-30°C to +70°C)			
All	LOCAL CONTROL STATION	HRCK2A~2S, HRCB2A~2S			
	Type	CK Type has Knob/Key Type Switches, CB Type has Knob/Knob Type Switches			

HRCK2, HRCB2 Series Electric Actuator with Local Control

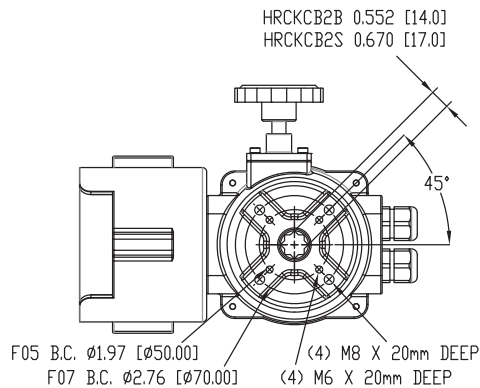
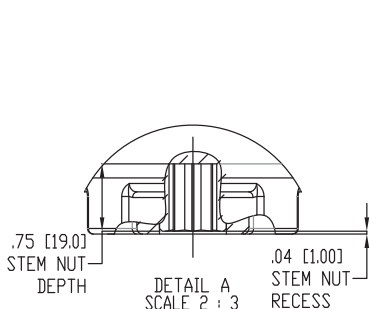
FOR BALL UP TO 6" AND BUTTERFLY VALVES UP TO 4"



MODEL	TYPE	COVER REMOVAL CLEARANCE		WEIGHT	
		IN	MM		LBS
HRCKCB2A	on/off - All	4.93	125	13.2	6
	Mod - LV / HV			15.4	7
HRCKCB2R	on/off - All	4.93	125	13.2	6
	Mod - LV / HV			15.4	7



MODEL	TYPE	COVER REMOVAL CLEARANCE		WEIGHT	
		IN	MM		LBS
HRCKCB2B	on/off - All	4.93	125	13.6	6.2
	Mod - LV / HV			15.8	7.2
HRCKCB2S	on/off - All	4.93	125	13.6	6.2
	Mod - HV			15.8	7.2



Hayward is a registered trademark of Hayward Industries, Inc. © 2021 Hayward Industries, Inc.

QUICK & DISCOUNTED PRICING
CLICK HERE
 OR CALL (908) 362-9981



TYPE CK



TYPE CB

HRCK3, HRCB3 Series Electric Actuator Local Control

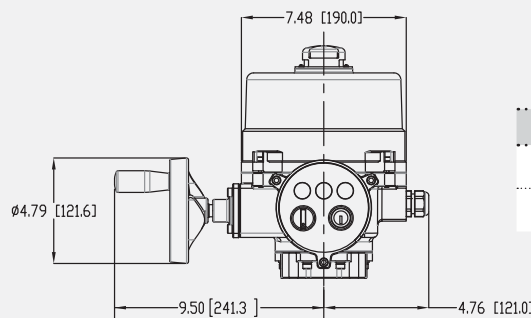
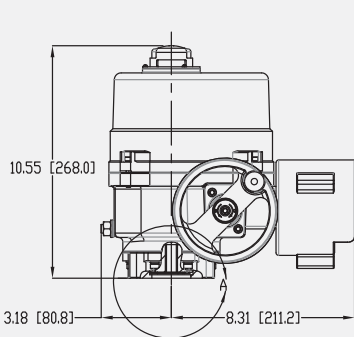


KEY FEATURES

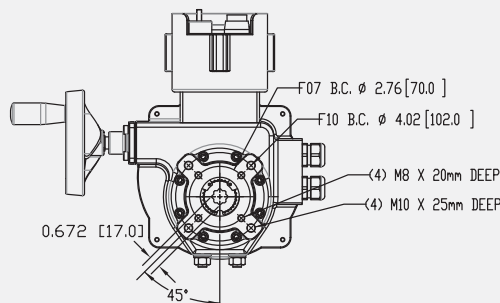
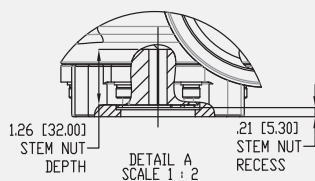
- Local Control Stations allow stand-alone or isolated operation from PLC systems
- CK Type has Knob/Key Type Switches
- CB Type has Dual Knob Type Switches
- Available from 880"lbs to 1770"lbs
- 120VAC operation standard, with 24VAC/VDC, 230VAC and 3 Phase options available
- Units equipped with two (2) volt-free Form A Auxiliary switches
- Anti-Condensate heater standard
- ISO5211 compliant mechanical mount with removable double-square female drive socket
- Two (2) 3/4" EMT ports for ease of field wiring
- NEMA 4/4x/IP67 Compliant (CB Type)
- NEMA 4/4x/IP65 Compliant (CK Type)
- Raised visual position indicator in high contrast red/green color
- Clutchless Hand Wheel override standard
- Collapsible spinner handle
- Optional Torque Switches

HRSN2
 HRSN3
 HRSN4
 HRSN5

TECHNICAL INFORMATION

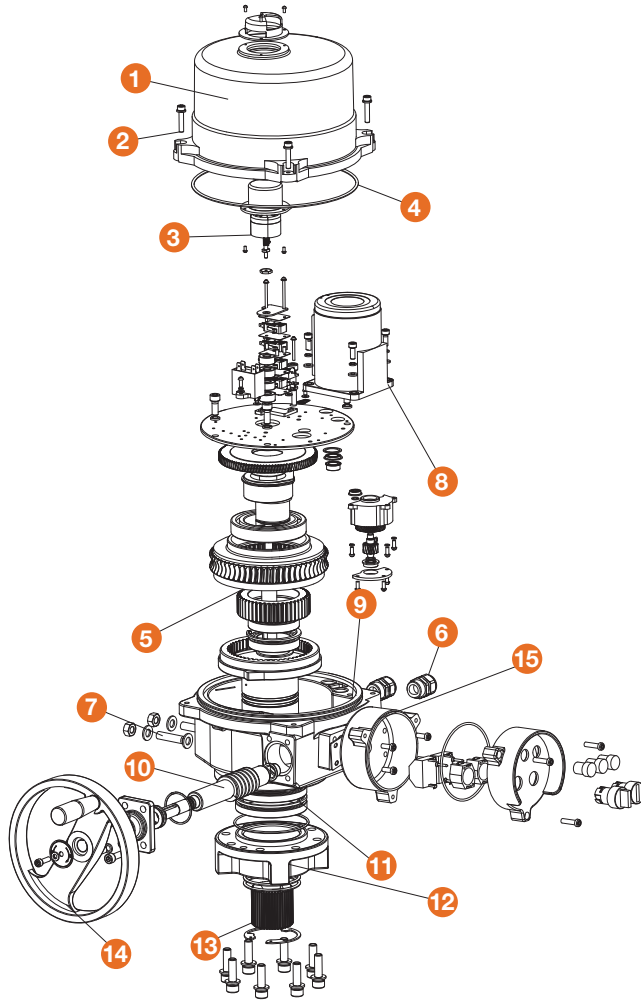


MODEL	COVER REMOVAL CLEARANCE	WEIGHT
	IN/MM	LBS/KG
HRCKCB3A	8 / 200	35.2 / 16
HRCKCB3B	8 / 200	35.2 / 16



HRCK3, HRCB3 Series Electric Actuator with Local Control Station

FOR BALL AND BUTTERFLY VALVES UP TO 8"



PARTS LIST

1. Cast Aluminum Cover
2. Captured Cover Screws
3. High Visibility Position Indicator
4. Cover O-Ring Seal
5. Epicyclic Transmission Set
6. EMT Glands
7. External Mechanical Stops
8. Drive Motor
9. Cast Aluminum Housing
10. Worm Override Shaft
11. Heavy Final Drive Bearing
12. ISO5211 Flange
13. Splined Drive Insert
14. Handwheel w/Collapsible Knob
15. Cast Aluminium Control Housing

ACTUATOR SPECIFICATIONS

		HRCK3A, HRCB3A	HRCK3B, HRCB3B
Supply	Torque Output (lbf-in / Nm)	880 / 100	1770 / 200
24VAC	Current Draw (Start / Run / LRA)	4.2A / 3.2A / 11A	4.2A / 3.2A / 11A
	Speed (90°) DC, seconds	14	28
24VDC	Motor - 24vdc Perm Magnet Brush Type	25W	25W
	Current Draw (Start / Run / LRA)	1.16A / 0.93A / 1.47A	1.16A / 0.93A / 1.47A
120V	Speed (90°) 60Hz / 50Hz, seconds	16 / 19	33 / 39
	Motor - 120vac Split-Phase Cap TENV	40W	40W
	Current Draw (Start / Run / LRA)	0.54A / 0.42A / 0.66A	0.54A / 0.42A / 0.66A
230V	Speed (90°) 60Hz / 50Hz, seconds	16 / 19	33 / 39
	Motor - 230vac Split-Phase Cap TENV	40W	40W
	Electrical Entry (2)	3/4" EMT or ABS gland	
	Control	On/Off or Proportional	
All	Ambient Operating Range	-22°F to +158°F / -30°C to +70°C	
	LOCAL CONTROL STATION	HRCK3A~3B, HRCB3A~3B	
	Type	CK Type has Knob/Key Type Switches / CB Type has Knob Type Switches	



Hayward is a registered trademark
of Hayward Industries, Inc.
© 2021 Hayward Industries, Inc.



QUICK & DISCOUNTED PRICING
CLICK HERE
 OR CALL (908) 362-9981



TYPE CK



TYPE CB

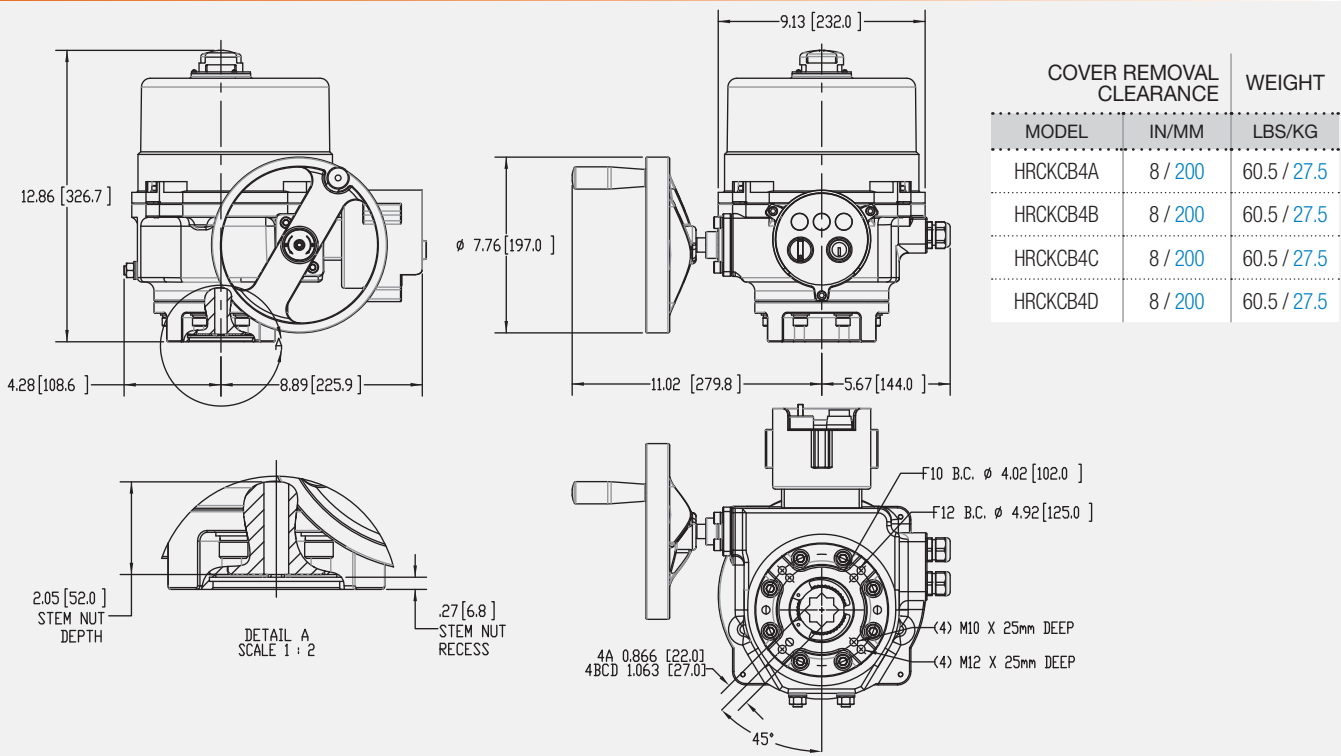
HRCK4, HRCB4 Series Electric Actuator Local Control



KEY FEATURES

- Local Control Stations allow stand-alone or isolated operation from PLC systems
- CK Type has Knob/Key Type Switches
- CB Type has Dual Knob Type Switches
- Available from 3540”lbs to 20,350”lbs
- 120VAC operation standard, with 24VAC/VDC, 230VAC and 3 Phase options available
- Units equipped with two (2) volt-free Form A Auxiliary switches
- Anti-Condensate heater standard
- ISO5211 compliant mechanical mount with removable double-square female drive socket
- Two (2) 3/4” EMT ports for ease of field wiring
- NEMA 4/4x/IP67 Compliant (CB Type)
- NEMA 4/4x/IP65 Compliant (CK Type)
- Raised visual position indicator in high contrast red/green color
- Clutchless Hand Wheel override standard
- Collapsible spinner handle
- Optional Torque Switches

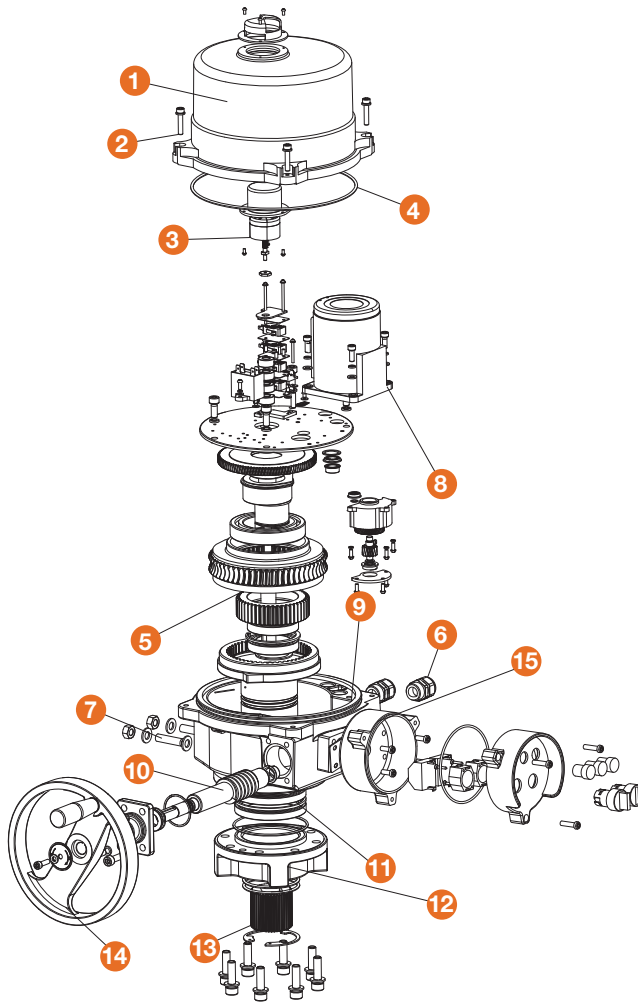
TECHNICAL INFORMATION



HRSN2
 HRSN3
 HRSN4
 HRSN5

HRCK4, HRCB4 Series Electric Actuator with Local Control Station

FOR BALL AND BUTTERFLY VALVES UP TO 14"



PARTS LIST

1. Cast Aluminum Cover
2. Captured Cover Screws
3. High Visibility Position Indicator
4. Cover O-Ring Seal
5. Epicyclic Transmission Set
6. EMT Glands
7. External Mechanical Stops
8. Drive Motor
9. Cast Aluminum Housing
10. Worm Override Shaft
11. Heavy Final Drive Bearing
12. ISO5211 Flange
13. Splined Drive Insert
14. Handwheel w/Collapsible Knob
15. Cast Aluminium Control Housing

ACTUATOR SPECIFICATIONS		HRCK4A HRCB4A	HRCK4B HRCB4B	HRCK4C HRCB4C	HRCK4D HRCB4D	HRCK4E HRCB4E	HRCK4F HRCB4F
Supply	Torque Output (lbf-in / Nm)	3540 / 400	5310 / 600	7080 / 800	8850 / 1000	15040 / 1700	20350 / 2300
24VAC	Current Draw (Start / Run / LRA)	7.0A / 5.8A / 15A	7.0A / 5.8A / 15A	7.0A / 5.8A / 15A	10.5A / 7.8A / 22A	-	-
-	Speed (90°) DC, seconds	21	28	34	34	-	-
24VDC	Motor - 24vdc Perm Magnet Brush Type	40W	40W	40W	60W	-	-
120V	Current Draw (Start / Run / LRA)	2.95A / 1.8A / 3.5A	2.95A / 1.8A / 3.5A	2.95A / 1.8A / 3.5A	3.8A / 2.3A / 4.8A	7.2A / 4.5A / 9.4A	7.2A / 4.5A / 9.4A
	Speed (90°) 60Hz / 50Hz, seconds	24 / 29	33 / 39	39 / 47	39 / 47	28 / 34	39 / 47
	Motor - 120vac Split-Phase Cap TENV	90W	90W	90W	120W	200W	200W
230V	Current Draw (Start / Run / LRA)	1.71A / 0.91A / 1.9A	1.71A / 0.91A / 1.9A	1.71A / 0.91A / 1.9A	2.16A / 1.1A / 2.43A	4.05A / 2.2A / 4.5A	4.05A / 2.2A / 4.5A
	Speed (90°) 60Hz / 50Hz, seconds	24 / 29	33 / 39	39 / 47	39 / 47	28 / 34	39 / 47
	Motor - 230vac Split-Phase Cap TENV	90W	90W	90W	120W	200W	200W
All	Electrical Entry (2)	3/4" EMT or ABS gland					
	Control	On/Off or Proportional					
	Ambient Operating Range	-22°F to +158°F / -30°C to +70°C					
	LOCAL CONTROL STATION	HRCK4A~4F, HRCB4A~4F					
	Type	CK Type has Knob/Key Type Switches / CB Type has Knob Type Switches					



Hayward is a registered trademark
of Hayward Industries, Inc.
© 2021 Hayward Industries, Inc.

QUICK & DISCOUNTED PRICING
CLICK HERE
 OR CALL (908) 362-9981



TYPE CL



TYPE CD

HRCL3, HRCD3 Series Electric Actuator Local Control

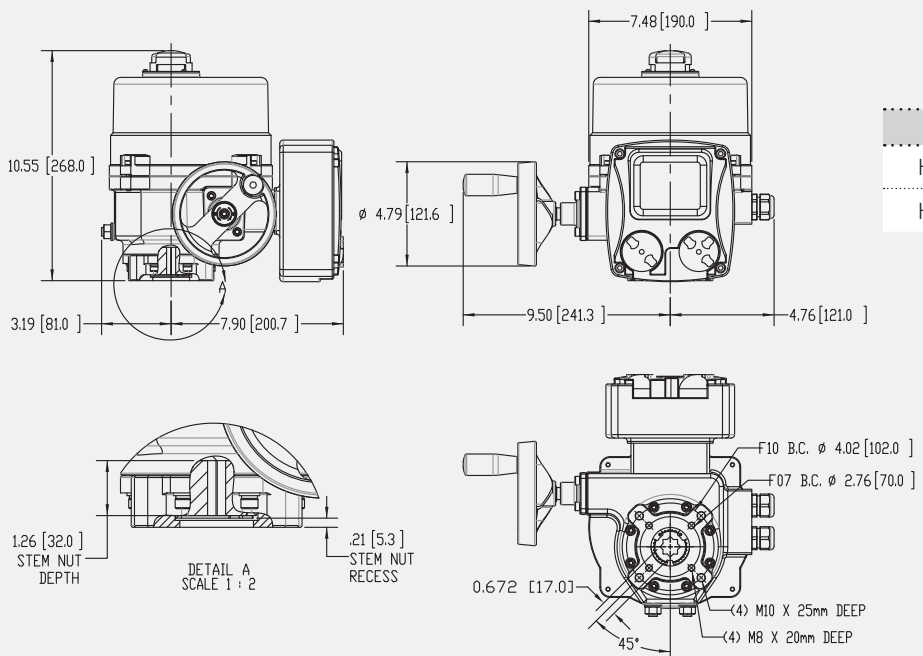


KEY FEATURES

- Local Control Stations allow stand-alone or isolated operation from PLC systems
- CL Type has LED Indicators
- CD Type has Full LCD Display
- Available from 880"lbs to 1770"lbs
- 120VAC operation standard, with 24VAC/VDC, 230VAC and 3 Phase options available
- Units equipped with two (2) volt-free Form A Auxiliary switches
- Anti-Condensate heater standard
- ISO5211 compliant mechanical mount with removable double-square female drive socket
- Two (2) 3/4" EMT ports for ease of field wiring
- NEMA 4/4x/IP67 Compliant
- Raised visual position indicator in high contrast red/green color
- Clutchless Hand Wheel override standard
- Collapsible spinner handle
- Optional Torque Switches

HRSN2
 HRSN3
 HRSN4
 HRSN5

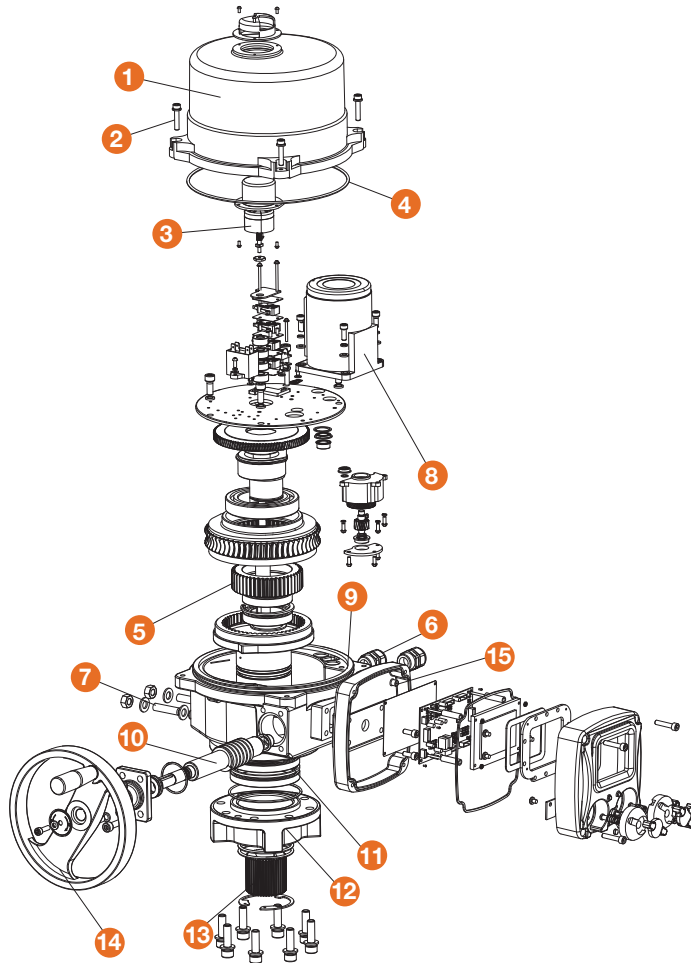
TECHNICAL INFORMATION



MODEL	COVER REMOVAL CLEARANCE	WEIGHT
	IN/MM	LBS/KG
HRCLCD3A	8 / 200	37.4 / 17
HRCLCD3B	8 / 200	37.4 / 17

HRCL3, HRCD3 Series Electric Actuator with Local Control Station

FOR BALL AND BUTTERFLY VALVES UP TO 8"



PARTS LIST

1. Cast Aluminum Cover
2. Captured Cover Screws
3. High Visibility Position Indicator
4. Cover O-Ring Seal
5. Epicyclic Transmission Set
6. EMT Glands
7. External Mechanical Stops
8. Drive Motor
9. Cast Aluminum Housing
10. Worm Override Shaft
11. Heavy Final Drive Bearing
12. ISO5211 Flange
13. Splined Drive Insert
14. Handwheel w/Collapsible Knob
15. Cast Aluminium Control Housing

ACTUATOR SPECIFICATIONS

		HRCL3A, HRCD3A	HRCL3B, HRCD3B
Supply	Torque Output (lbf-in / Nm)	880 / 100	1770 / 200
24VAC	Current Draw (Start / Run / LRA)	4.2A / 3.2A / 11A	4.2A / 3.2A / 11A
	Speed (90°) DC, seconds	14	28
24VDC	Motor - 24vdc Perm Magnet Brush Type	25W	25W
	Current Draw (Start / Run / LRA)	1.16A / 0.93A / 1.47A	1.16A / 0.93A / 1.47A
120V	Speed (90°) 60Hz / 50Hz, seconds	16 / 19	33 / 39
	Motor - 120vac Split-Phase Cap TENV	40W	40W
	Current Draw (Start / Run / LRA)	0.54A / 0.42A / 0.66A	0.54A / 0.42A / 0.66A
230V	Speed (90°) 60Hz / 50Hz, seconds	16 / 19	33 / 39
	Motor - 230vac Split-Phase Cap TENV	40W	40W
	Electrical Entry (2)	3/4" EMT or ABS gland	
	Control	On/Off or Proportional	
All	Ambient Operating Range	-22°F to +158°F / -30°C to +70°C	
	LOCAL CONTROL STATION	HRCL3A~3B, HRCD3A~3B	
	Type	CL Type has LED indicators / CD Type has Full LCD Display	



Hayward is a registered trademark of Hayward Industries, Inc. © 2021 Hayward Industries, Inc.

QUICK & DISCOUNTED PRICING
CLICK HERE
 OR CALL (908) 362-9981



TYPE CL



TYPE CD

HRCL4, HRCD4 Series Electric Actuator Local Control

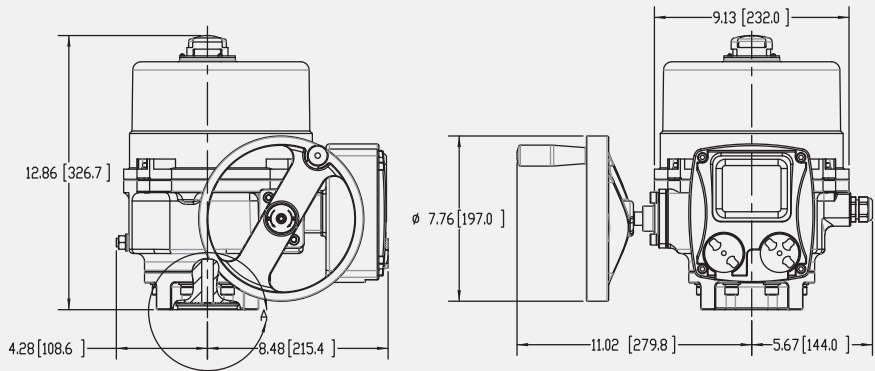


KEY FEATURES

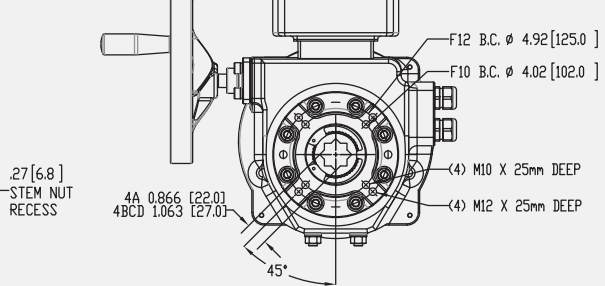
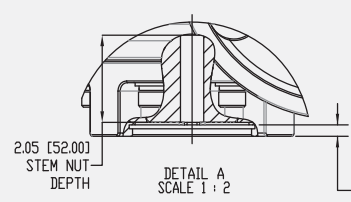
- Local Control Stations allow stand-alone or isolated operation from PLC systems
- CL Type has LED Indicators
- CD Type has Full LCD Display
- Available from 3540”lbs to 20,350”lbs
- 120VAC operation standard, with 24VAC/VDC, 230VAC and 3 Phase options available
- Units equipped with two (2) volt-free Form A Auxiliary switches
- Anti-Condensate heater standard
- ISO5211 compliant mechanical mount with removable double-square female drive socket
- Two (2) 3/4” EMT ports for ease of field wiring
- NEMA 4/4x/IP67 Compliant
- Raised visual position indicator in high contrast red/green color
- Clutchless Hand Wheel override standard
- Collapsible spinner handle
- Optional Torque Switches

HRSN2
 HRSN3
 HRSN4
 HRSN5

TECHNICAL INFORMATION

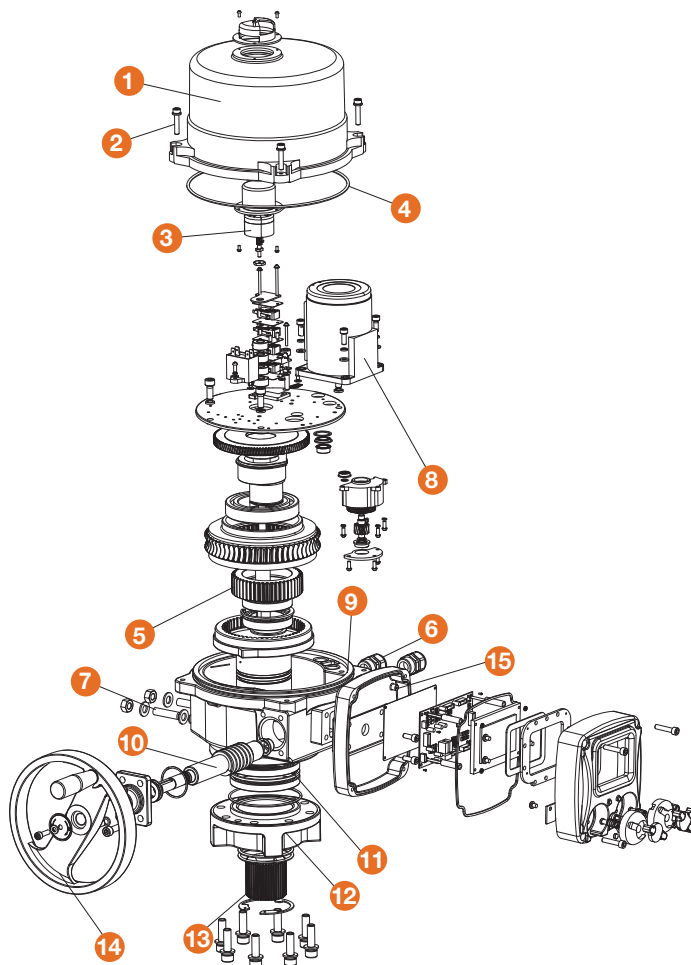


MODEL	COVER REMOVAL CLEARANCE	WEIGHT
	IN/MM	LBS/KG
HRCLCD4A	8 / 200	62.7 / 29
HRCLCD4B	8 / 200	62.7 / 29
HRCLCD4C	8 / 200	62.7 / 29
HRCLCD4D	8 / 200	62.7 / 29



HRCL4, HRCD4 Series Electric Actuator with Local Control Station

FOR BALL AND BUTTERFLY VALVES UP TO 14"



PARTS LIST

1. Cast Aluminum Cover
2. Captured Cover Screws
3. High Visibility Position Indicator
4. Cover O-Ring Seal
5. Epicyclic Transmission Set
6. EMT Glands
7. External Mechanical Stops
8. Drive Motor
9. Cast Aluminum Housing
10. Worm Override Shaft
11. Heavy Final Drive Bearing
12. ISO5211 Flange
13. Splined Drive Insert
14. Handwheel w/Collapsible Knob
15. Cast Aluminium Control Housing

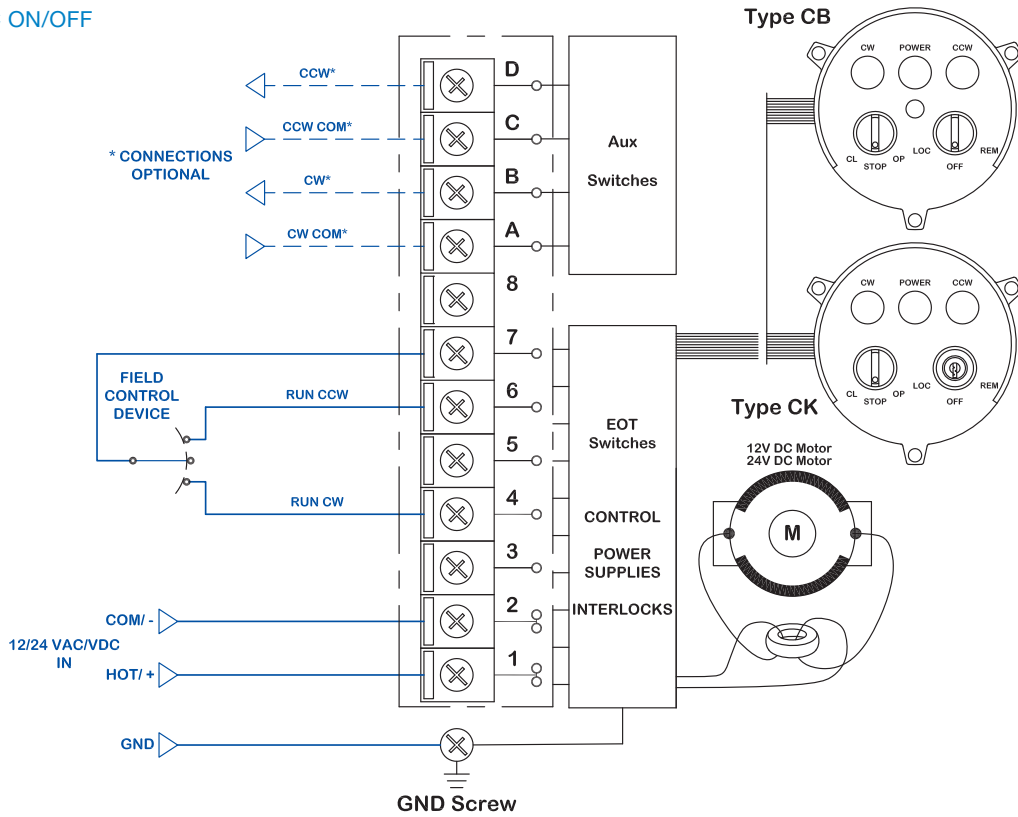
ACTUATOR SPECIFICATIONS

		HRCL4A HRCD4A	HRCL4B HRCD4B	HRCL4C HRCD4C	HRCL4D HRCD4D	HRCL4E HRCD4E	HRCL4F HRCD4F
Supply	Torque Output (lbf-in / Nm)	3540 / 400	5310 / 600	7080 / 800	8850 / 1000	15040 / 1700	20350 / 2300
24VAC	Current Draw (Start / Run / LRA)	7.0A / 5.8A / 15A	7.0A / 5.8A / 15A	7.0A / 5.8A / 15A	10.5A / 7.8A / 22A	-	-
-	Speed (90°) DC, seconds	21	28	34	34	-	-
24VDC	Motor - 24vdc Perm Magnet Brush Type	40W	40W	40W	60W	-	-
	Current Draw (Start / Run / LRA)	2.95A / 1.8A / 3.5A	2.95A / 1.8A / 3.5A	2.95A / 1.8A / 3.5A	3.8A / 2.3A / 4.8A	7.2A / 4.5A / 9.4A	7.2A / 4.5A / 9.4A
120V	Speed (90°) 60Hz / 50Hz, seconds	24 / 29	33 / 39	39 / 47	39 / 47	28 / 34	39 / 47
	Motor - 120vac Split-Phase Cap TENV	90W	90W	90W	120W	200W	200W
230V	Current Draw (Start / Run / LRA)	1.71A / 0.91A / 1.9A	1.71A / 0.91A / 1.9A	1.71A / 0.91A / 1.9A	2.16A / 1.1A / 2.43A	4.05A / 2.2A / 4.5A	4.05A / 2.2A / 4.5A
	Speed (90°) 60Hz / 50Hz, seconds	24 / 29	33 / 39	39 / 47	39 / 47	28 / 34	39 / 47
	Motor - 230vac Split-Phase Cap TENV	90W	90W	90W	120W	200W	200W
All	Electrical Entry (2)	3/4" EMT or ABS gland					
	Control	On/Off or Proportional					
	Ambient Operating Range	-22°F to +158°F / -30°C to +70°C					
	LOCAL CONTROL STATION	HRCL4A~4F, HRCD4A~4F					
	Type	CL Type has LED indicators / CD Type has Full LCD Display					

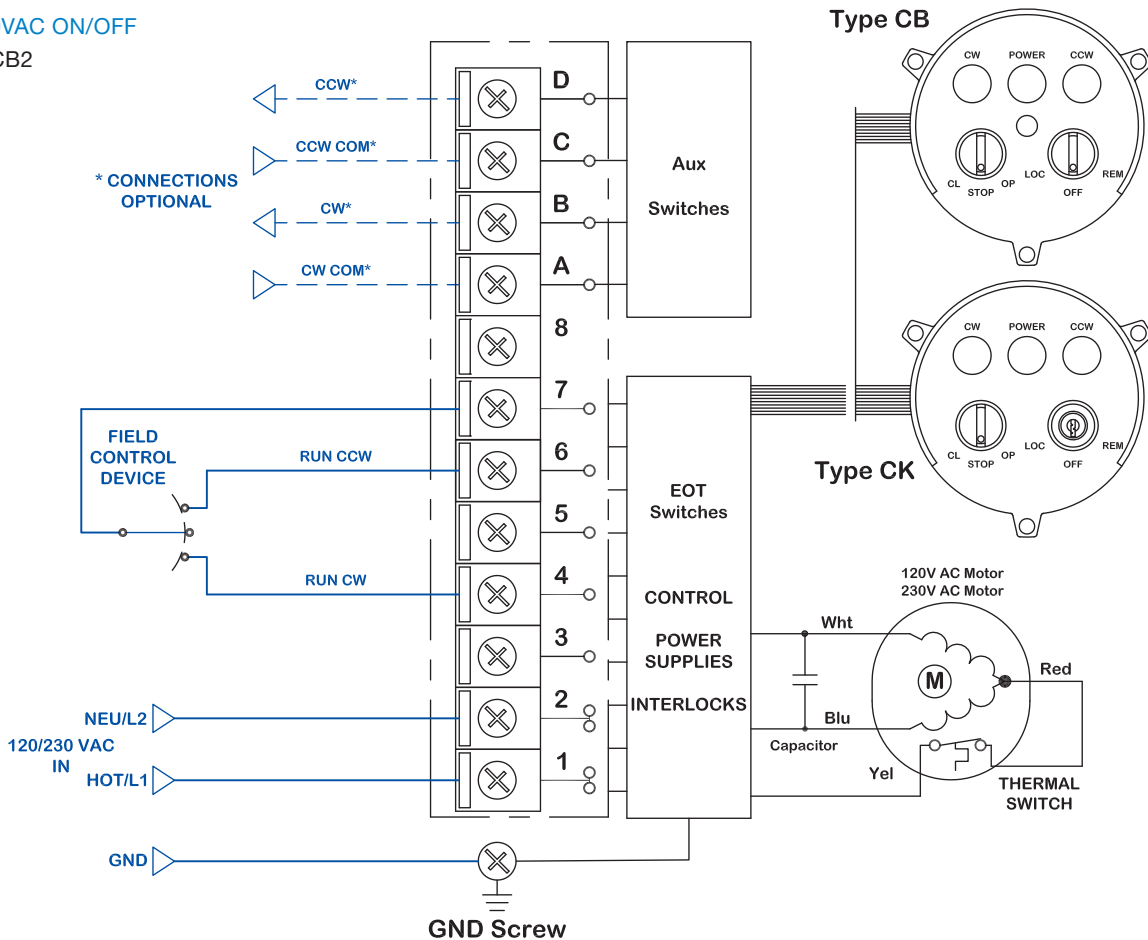


Hayward is a registered trademark of Hayward Industries, Inc. © 2021 Hayward Industries, Inc.

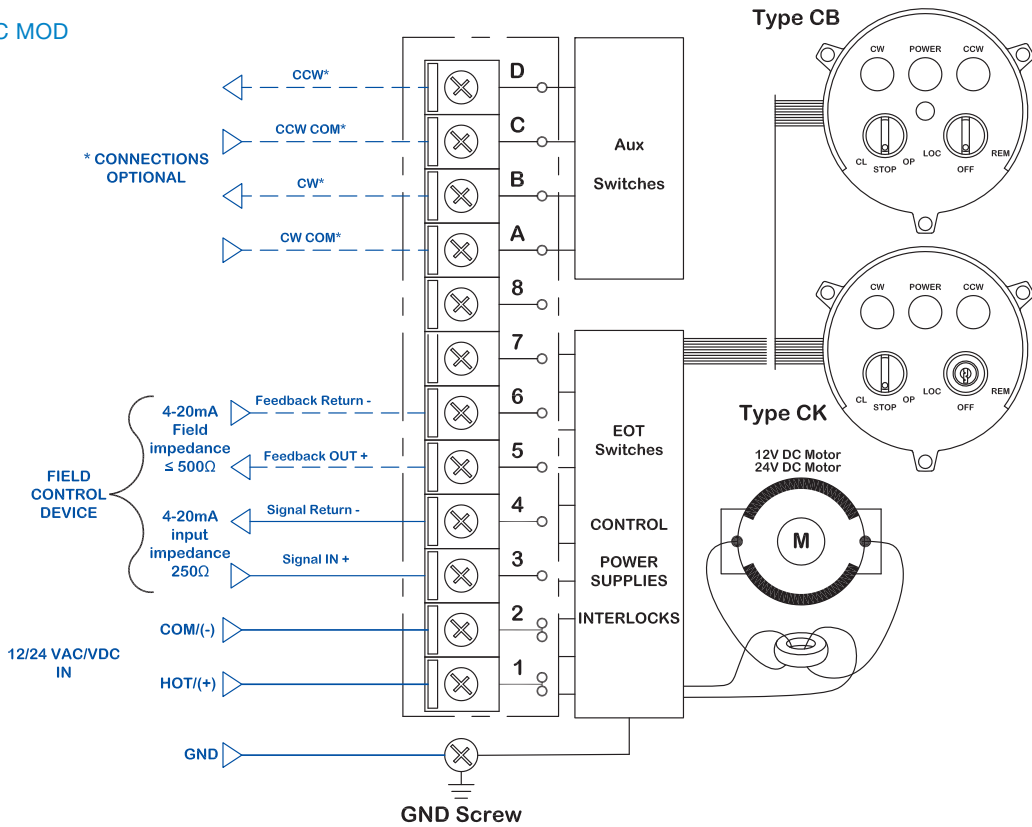
12/24VAC/VDC ON/OFF
HRCK/CB2



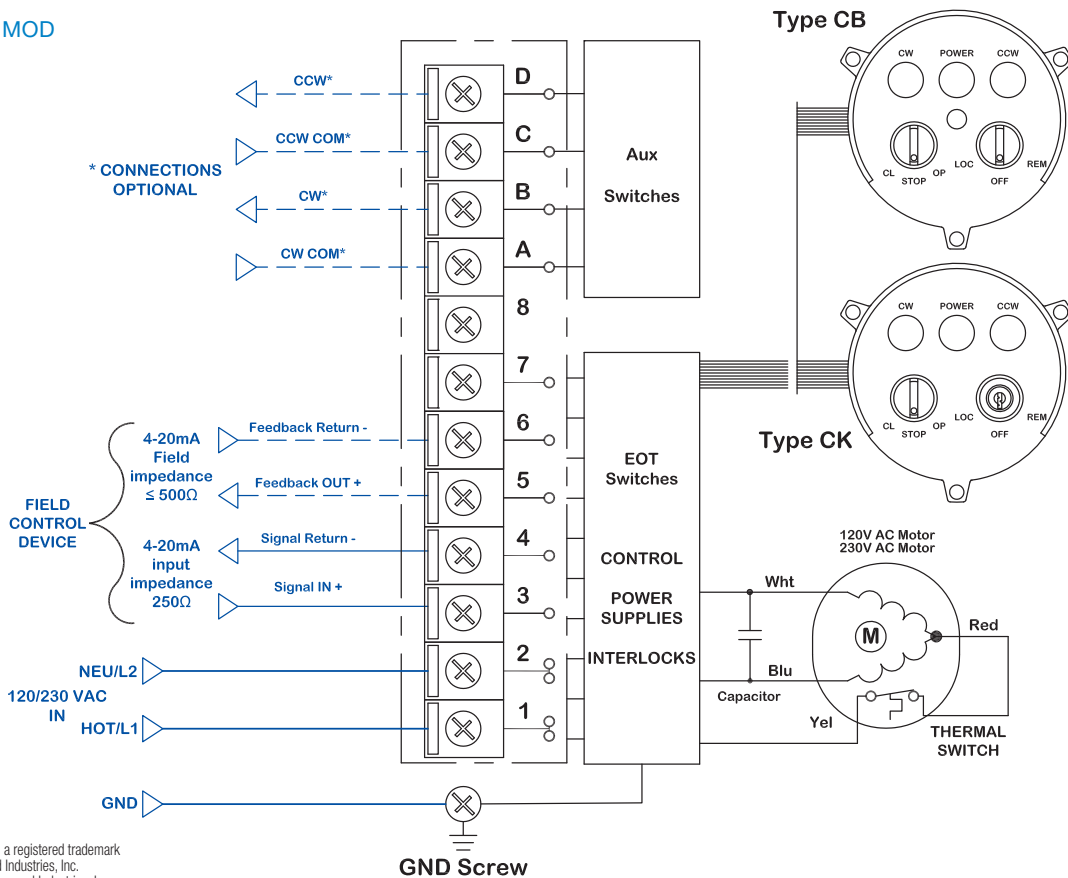
120/230VAC ON/OFF
HRCK/CB2



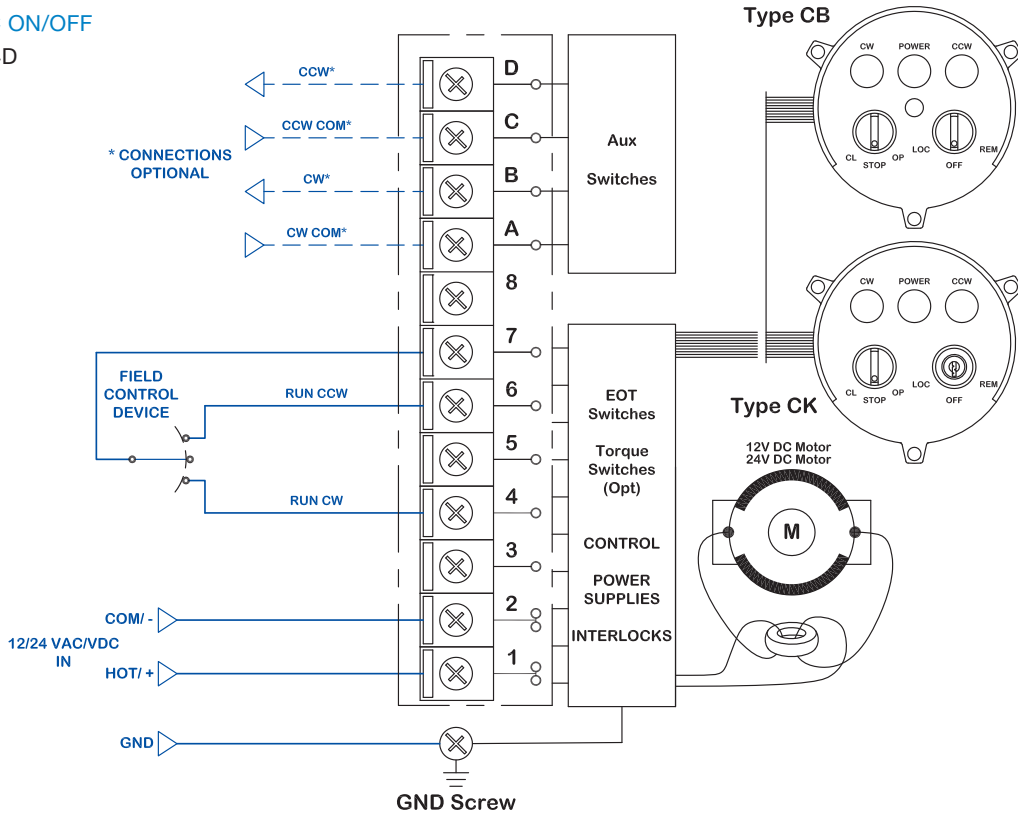
12/24VAC/VDC MOD
HRCK/CB2



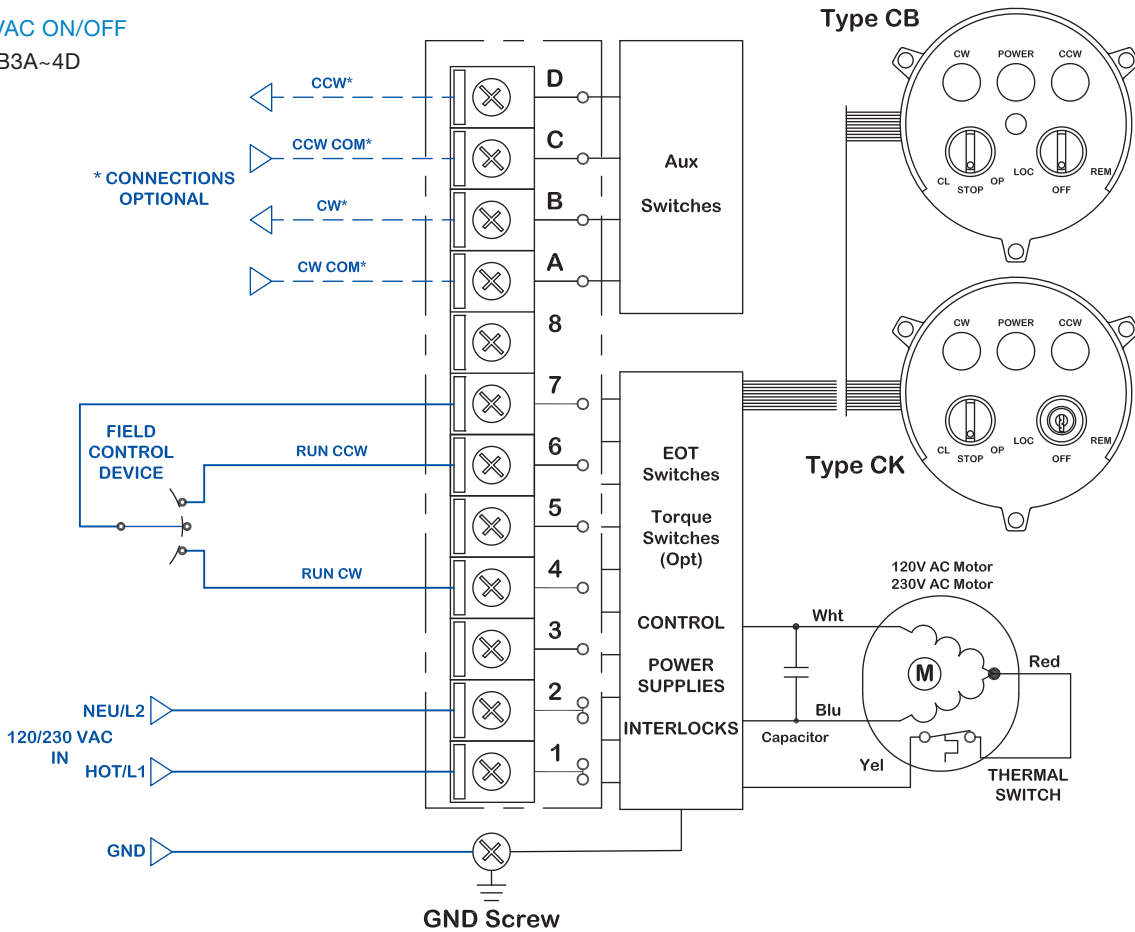
120/230VAC MOD
HRCK/CB2



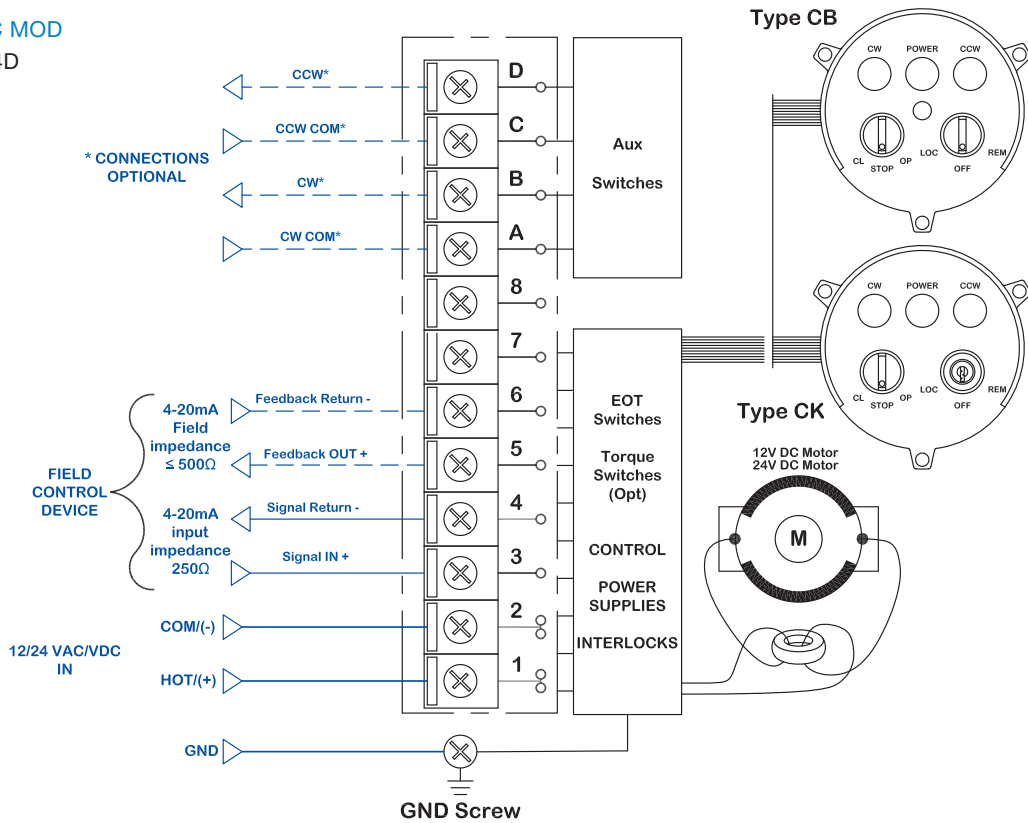
12/24VAC/VDC ON/OFF
HRCK/CB3A-4D



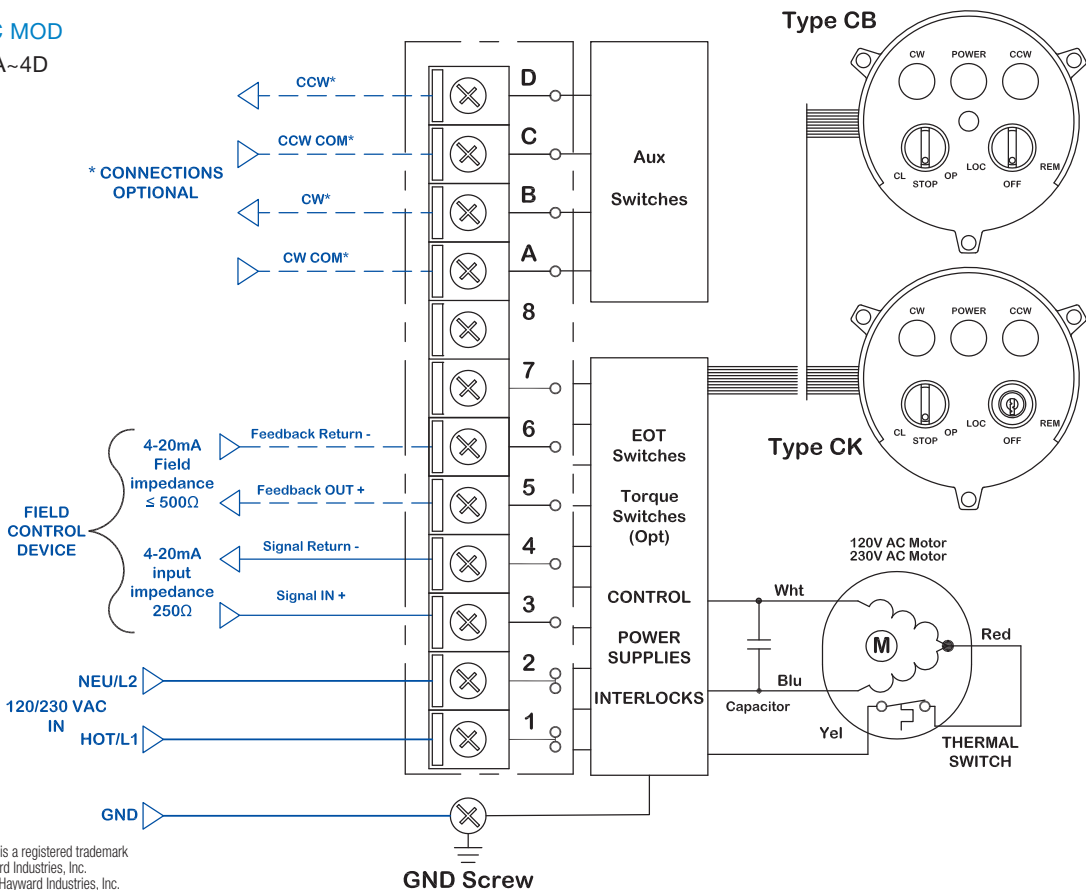
120/230VAC ON/OFF
HRCK/CB3A-4D



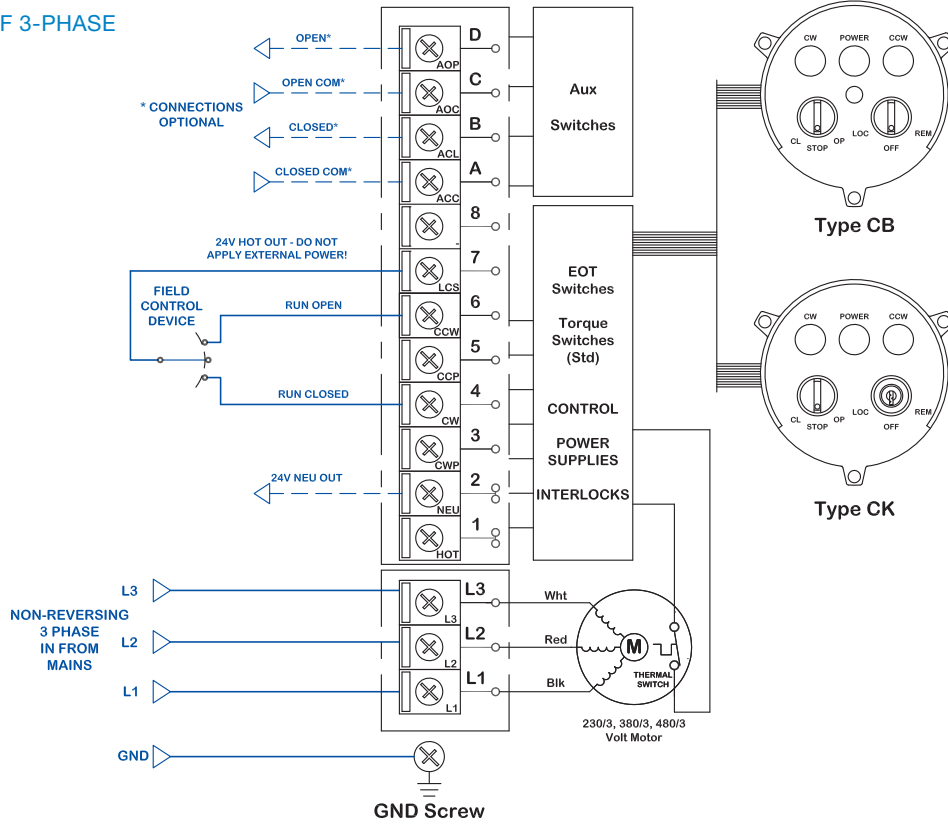
12/24VAC/VDC MOD
HRCK/CB3A~4D



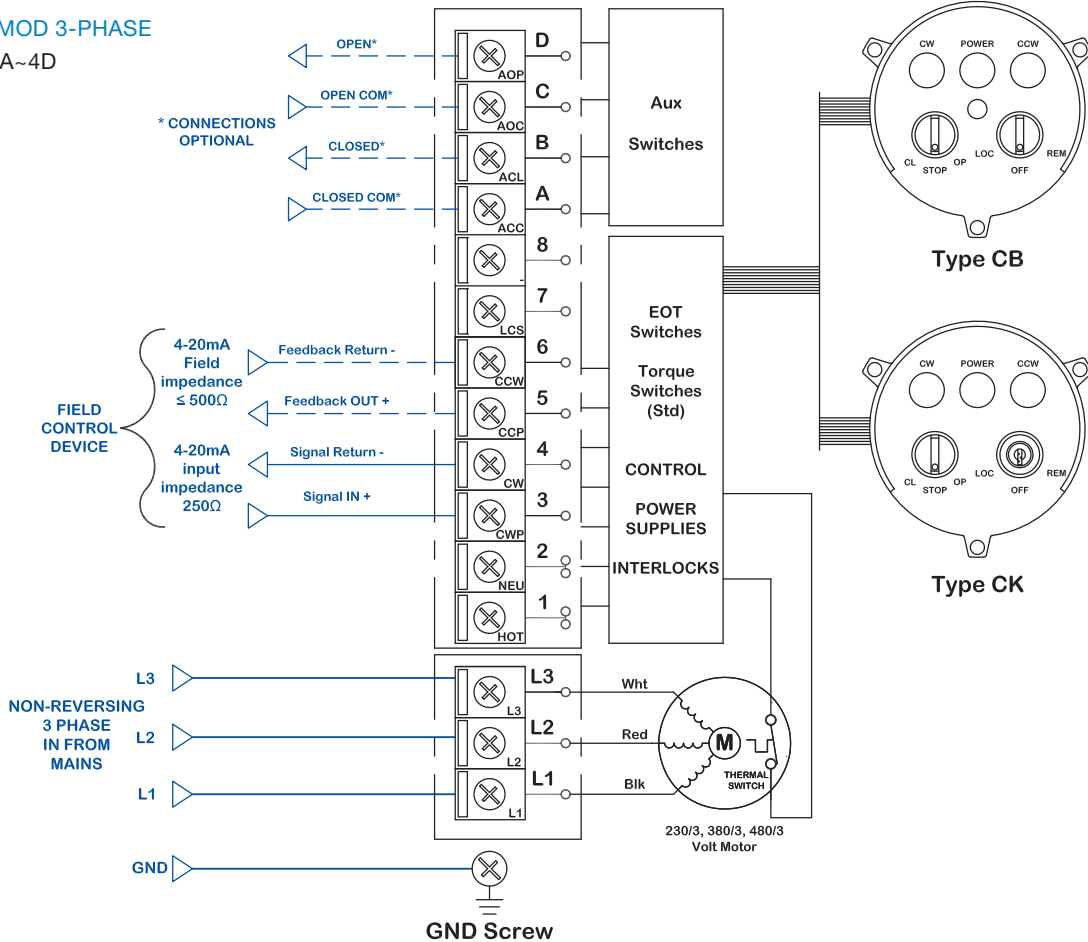
120/230VAC MOD
HRCK/CB3A~4D



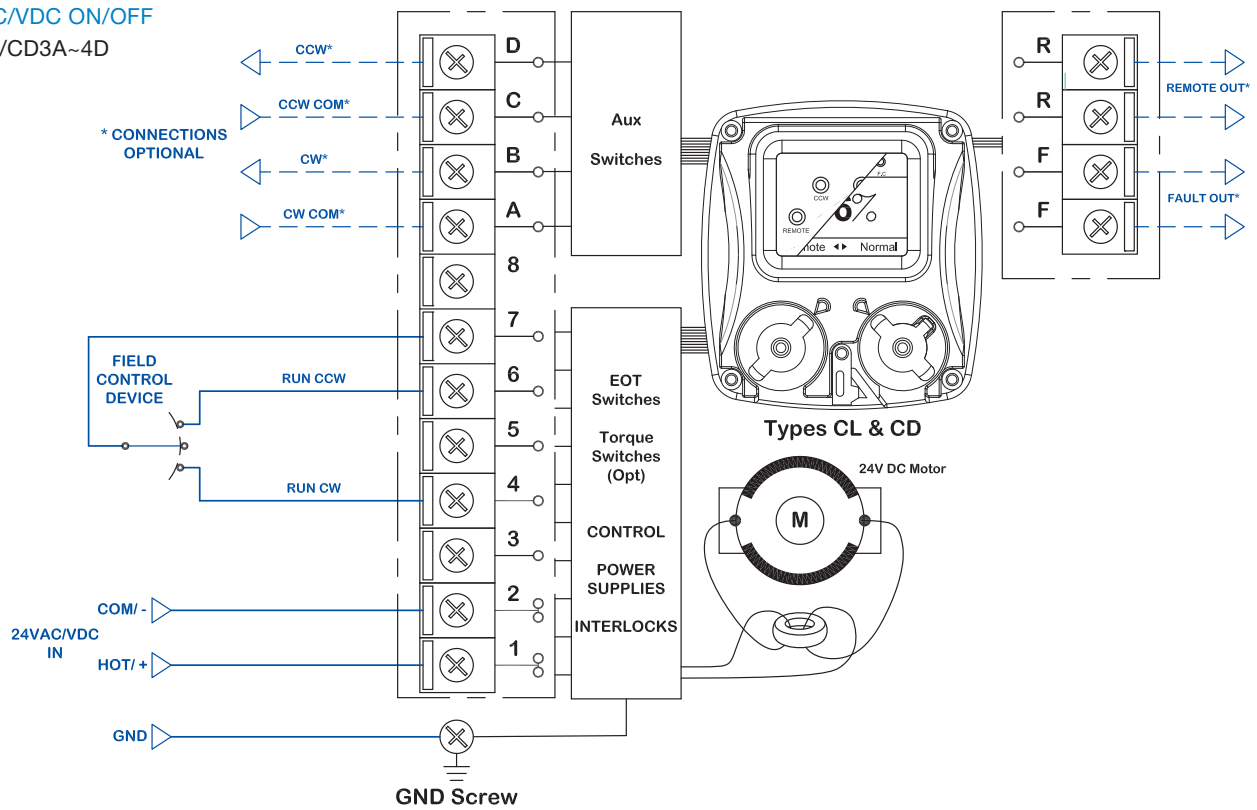
230-480/3 ON/OFF 3-PHASE
HRCK/CB3A-4D



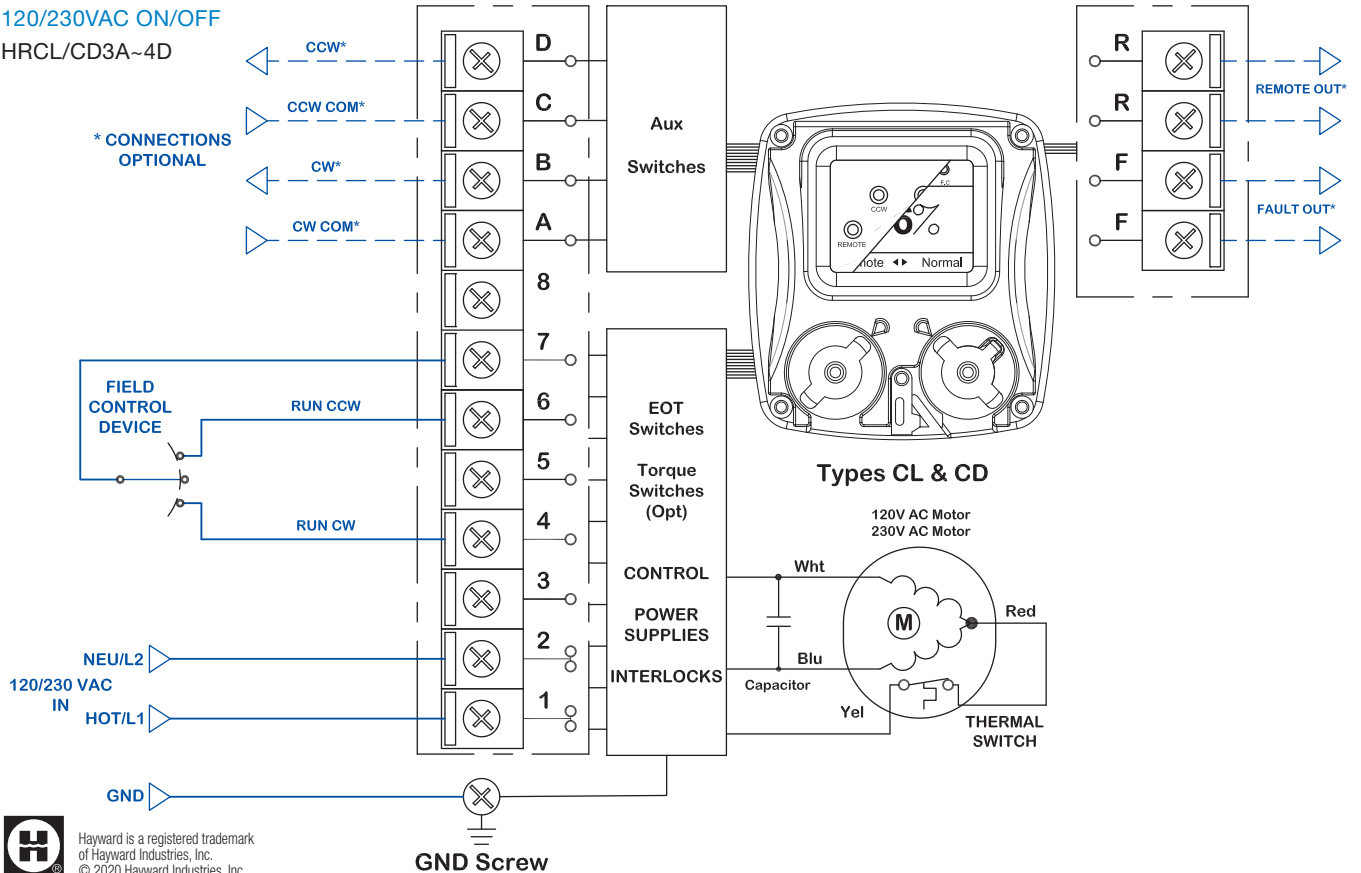
230-480/3 MOD 3-PHASE
HRCK/CB3A-4D



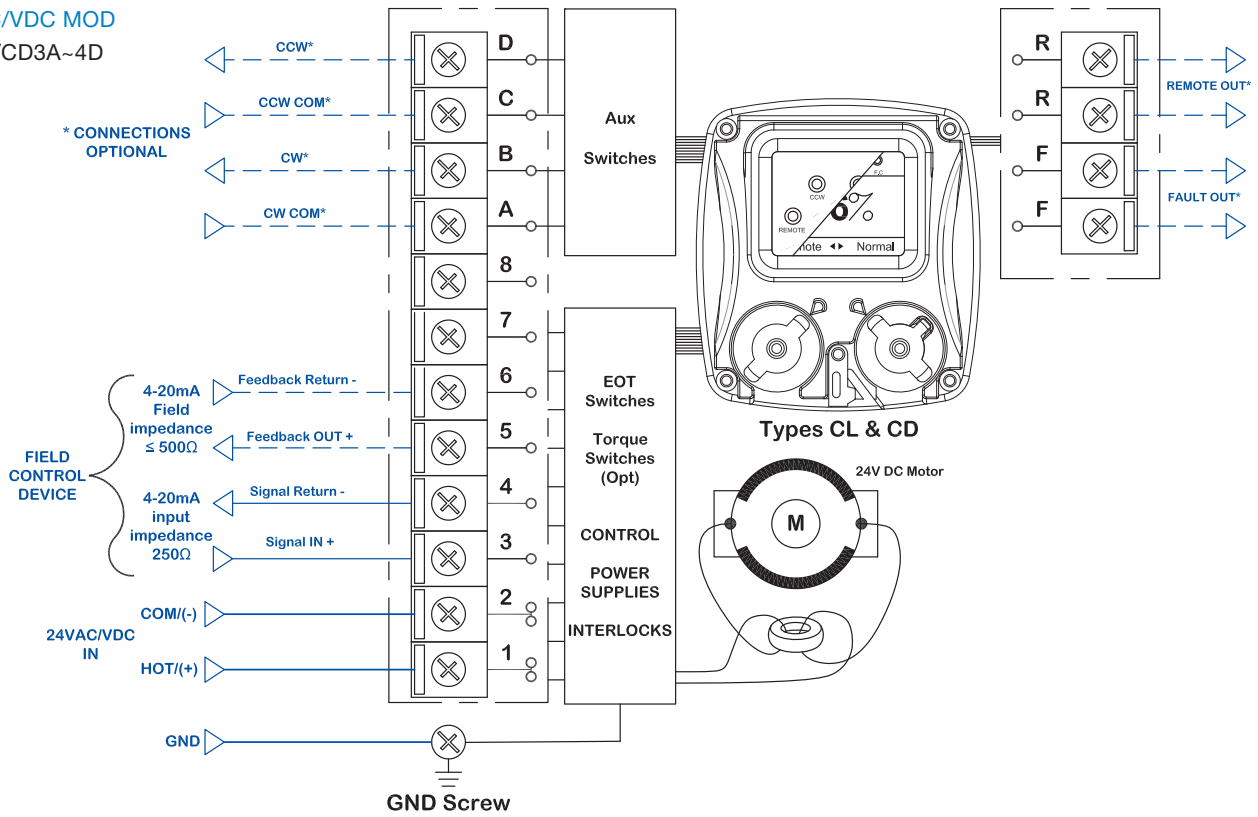
24VAC/VDC ON/OFF
HRCL/CD3A~4D



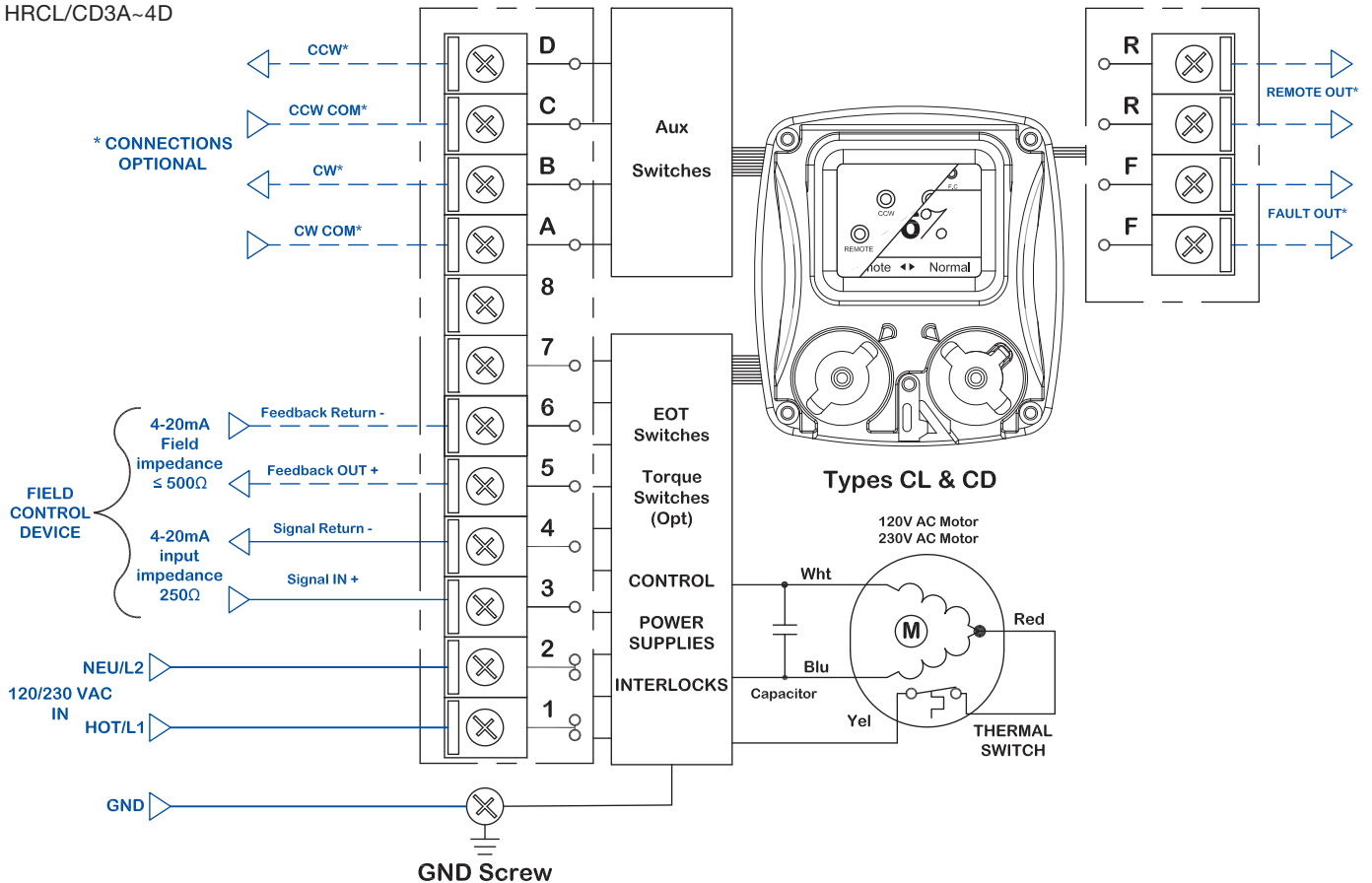
120/230VAC ON/OFF
HRCL/CD3A~4D



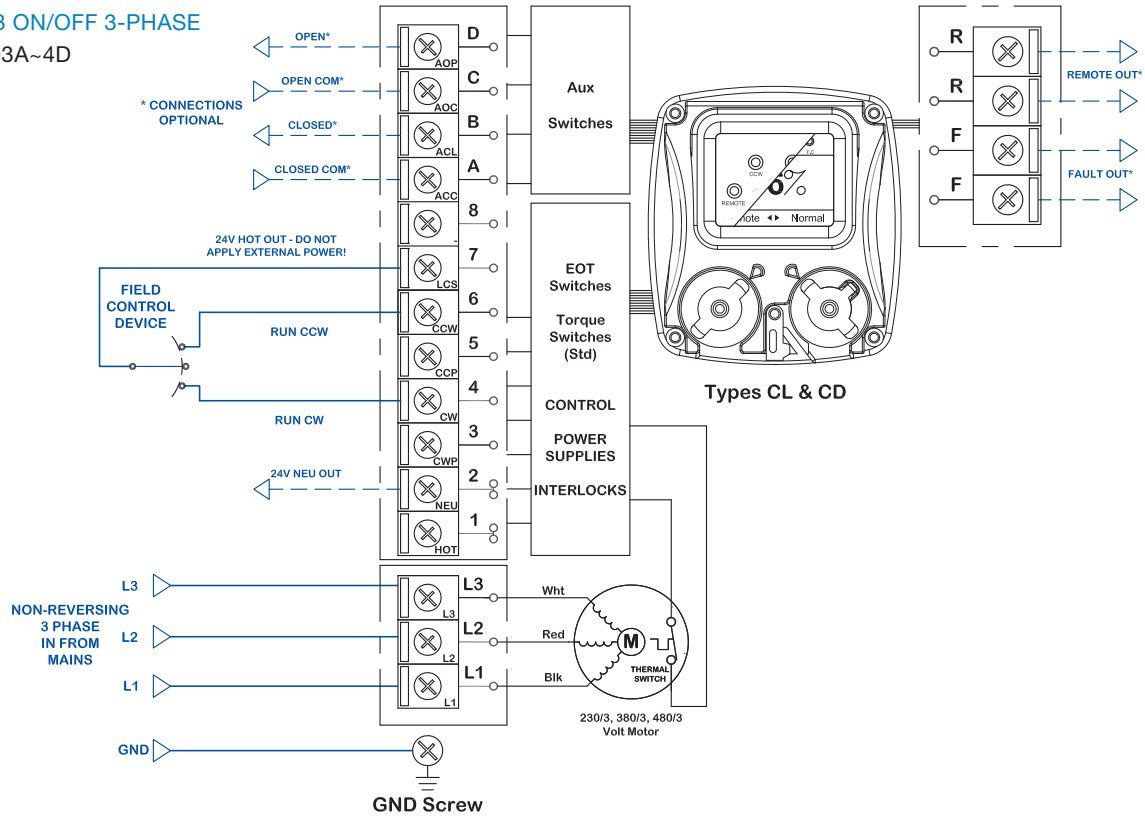
24VAC/VDC MOD
HRCL/CD3A~4D



120/230VAC MOD
HRCL/CD3A~4D



230-480/3 ON/OFF 3-PHASE
HRCL/CD3A~4D



230-480/3 MOD 3-PHASE
HRCL/CD3A~4D

