

QUICK & DISCOUNTED PRICING  
**CLICK HERE**  
 OR CALL (908) 362-9981



ATEX / IECEx CERTIFIED  
 Ex II G Ex db IIC T6 Gb  
 Ex II D Ex tb IIIC T85°C / T100°C / T135°C Db

## NEW PRODUCT PREVIEW

# HXCSN 2B, 2S Series Electric Actuators for Hazardous Locations

### KEY FEATURES & BENEFITS

- Designed for use in hazardous locations
- Available from 310”lbs to 440”lbs torque
- 120VAC operation standard, with 24VAC/VDC, 230VAC options available
- Units equipped with two (2) volt-free Form A Auxiliary switches
- Anti-Condensate heater standard
- ISO5211 compliant mechanical mount w/ double-square female drive socket
- Two (2) 1/2” EMT ports for ease of field wiring
- NEMA 4/4X/IP66 Compliant
- Visual position indicator
- Manual override handwheel

Notice: Due to certification regulations and traceability requirements, this product is non-cancellable and non-returnable. Verify the product and certifications are approved for the project prior to ordering.



## TECHNICAL INFORMATION

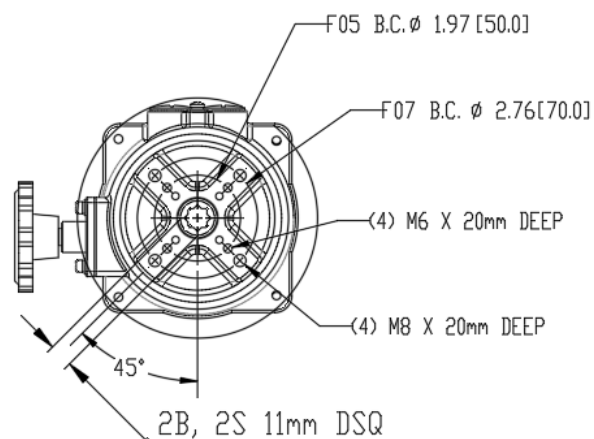
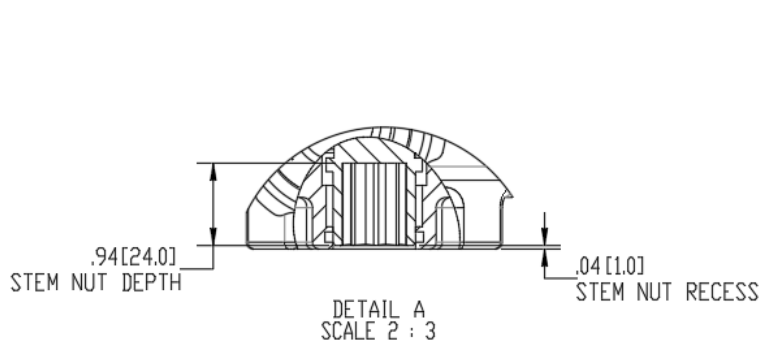
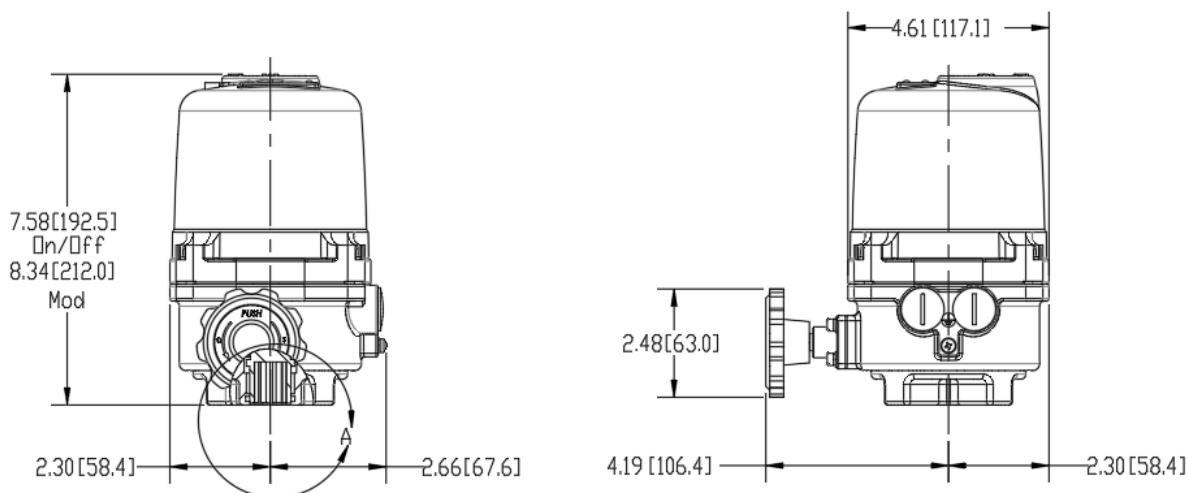
ACTUATOR SPECIFICATIONS		HXCSN2B	HXCSN2S
Supply	Torque Output (in-lb / Nm)	310 / 35	440 / 50
24VAC	Current Draw (Start / Run / LRA)	2.1A / 1.2A / 2.3A	2.1A / 1.2A / 2.3A
-	Speed (90°) DC-60Hz/50Hz, seconds	8 / 8	10 / 10
24VDC	Motor - 24V DC Perm Magnet 2 Pole Brush	6W	6W
	Current Draw (Start / Run / LRA)	0.4A / 0.4A / 0.5A	0.4A / 0.4A / 0.5A
120VAC	Speed (90°) 60Hz / 50Hz, seconds	9 / 11	13 / 15
	Motor - 120V Capacitor Run TENV	10W	10W
	Current Draw (Start / Run / LRA)	0.2A / 0.2A / 0.3A	0.2A / 0.2A / 0.3A
230VAC	Speed (90°) 60Hz / 50Hz, seconds	9 / 11	13 / 15
	Motor - 230V Capacitor Run TENV	10W	10W
	Manual Override	Hand Wheel	Hand Wheel
	Electrical Entry (2)	1/2" EMT w/ Polyamide dust cap	
	Control	On/Off, Proportional	
All	Auxiliary Switch - End of Travel	(2) Form A Volt-Free, Rated 3A @ 250vac	
	Ambient Operating Range	-40°F to +149°F (-40°C to +65°C)	
	Humidity Range	0-95% RH	
	Altitude Limit	9850 ft / 3000 m	

# HXCSN 2B, 2S Series Electric Actuators for Hazardous Locations

## TECHNICAL INFORMATION, CONTINUED



ATEX / IECEx CERTIFIED  
 Ex II G Ex db IIC T6 Gb  
 Ex II D Ex tb IIIC T85°C / T100°C / T135°C Db



MODEL	TYPE	COVER REMOVAL CLEARANCE		HANDWHEEL		WEIGHT LBS/KG
		IN/MM	IN/MM	# TURNS FOR 90°		
HXCSN2B	on/off - All	4.93 / 125	2.46 / 62.5	12 turns 90°		7.0 / 3.2
	Mod - LV / HV					9.3 / 4.2
HXCSN2S	on/off - All	4.93 / 125	2.46 / 62.5	12 turns 90°		7.0 / 3.2
	Mod - LV / HV					9.3 / 4.2



Hayward is a registered trademark of Hayward Industries, Inc.  
 © 2021 Hayward Industries, Inc.

**QUICK & DISCOUNTED PRICING**  
**CLICK HERE**  
 OR CALL (908) 362-9981



**ATEX / IECEx CERTIFIED**  
 Ex II G Ex db IIB T4 Gb  
 Ex II D Ex tb IIIC T85°C / T100°C / T135°C Db

## NEW PRODUCT PREVIEW

# HXBSN 3A~3B Series Electric Actuators for Hazardous Locations

### KEY FEATURES & BENEFITS

- Designed for use in hazardous locations
- Available from 880"lbs up thru 1770"lbs
- 120VAC operation standard, with 24VAC/VDC, 230VAC and 3 phase options available
- Units are equipped with two (2) volt-free Form A Auxiliary switches
- Anti-Condensate heater standard
- ISO5211 compliant mechanical mount w/ double-square female drive socket
- Two (2) 3/4" EMT ports for ease of field wiring
- NEMA 4/4X/IP66 Compliant
- Visual position indicator
- Clutchless Hand Wheel override standard
- Collapsible spinner handle
- Torque switches standard

Notice: Due to certification regulations and traceability requirements, this product is non-cancellable and non-returnable. Verify the product and certifications are approved for the project prior to ordering.



## TECHNICAL INFORMATION

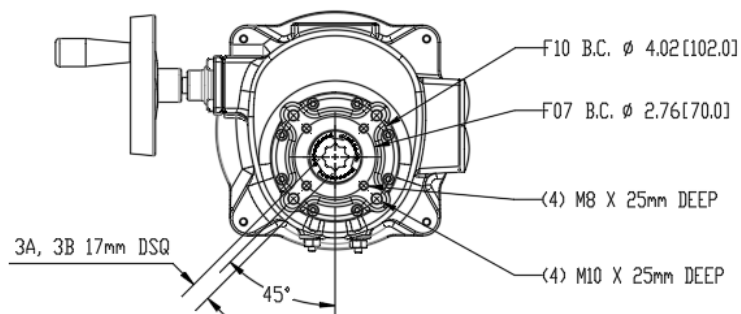
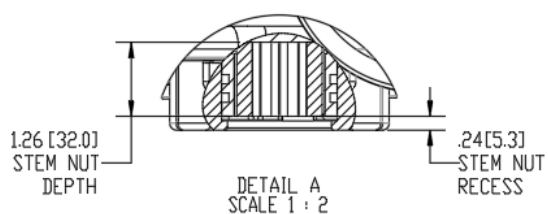
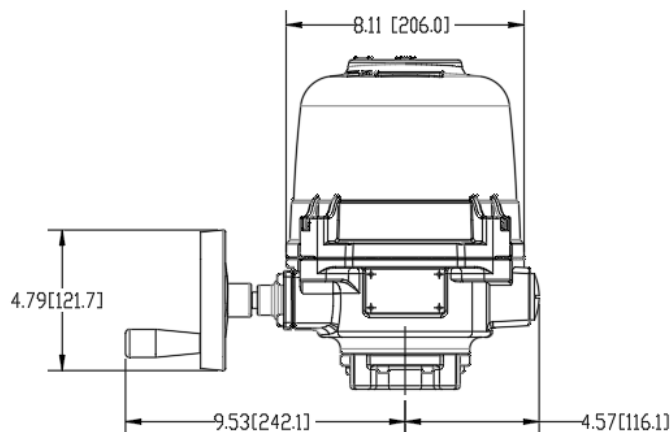
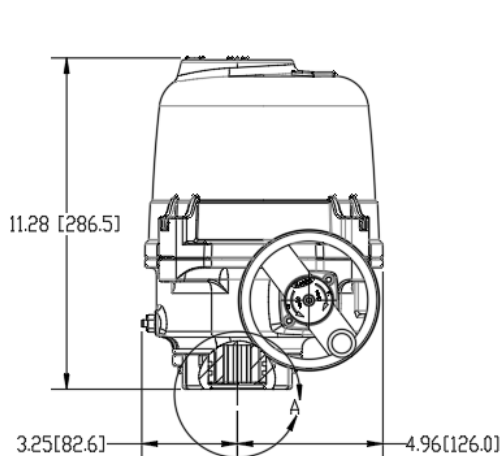
ACTUATOR SPECIFICATIONS		HXBSN3A	HXBSN3B
Supply	Torque Output (in-lb / Nm)	880 / 100	1770 / 200
24VAC	Current Draw (Start / Run / LRA)	4.2A / 3.2A / 11.0A	4.2A / 3.2A / 11.0A
	Speed (90°) DC-60Hz/50Hz, seconds	14 / 14	28 / 28
24VDC	Motor - 24V DC Perm Magnet 2 Pole Brush	25W	25W
120VAC	Current Draw (Start / Run / LRA)	1.2A / 0.9A / 1.5A	1.2A / 0.9A / 1.5A
	Speed (90°) 60Hz / 50Hz, seconds	16 / 19	33 / 39
230VAC	Motor - 120V Capacitor Run TENV	40W	40W
	Current Draw (Start / Run / LRA)	0.5A / 0.4A / 0.7A	0.5A / 0.4A / 0.7A
230VAC	Speed (90°) 60Hz / 50Hz, seconds	16 / 19	33 / 39
	Motor - 230V Capacitor Run TENV	40W	40W
All	Electrical Entry (2)	3/4" EMT w/ Polyamide dust cap	
	Control	On/Off, Proportional	
	Auxiliary Switch - End of Travel	(2) Form A Volt-Free, Rated 10A @ 250vac	
	Ambient Operating Range	-40°F to +149°F (-40°C to +65°C)	
	Humidity Range	0-95% RH	
	Altitude Limit	9850 ft / 3000 m	

# HXBSN 3A~3B Series Electric Actuators for Hazardous Locations

## TECHNICAL INFORMATION, CONTINUED



ATEX / IECEx CERTIFIED  
 Ex II G Ex db IIB T4 Gb  
 Ex II D Ex tb IIIC T85°C / T100°C / T135°C Db



MODEL	COVER REMOVAL CLEARANCE		HANDWHEEL		WEIGHT
	IN/MM	IN/MM	# TURNS FOR 90°	LBS/KG	
HXBSN3A	8 / 200	4.79 / 122	12.5 turns 90°	30.8 / 14	
HXBSN3B	8 / 200	4.79 / 122	12.5 turns 90°	30.8 / 14	



Hayward is a registered trademark of Hayward Industries, Inc.  
 © 2021 Hayward Industries, Inc.

QUICK & DISCOUNTED PRICING  
**CLICK HERE**  
 OR CALL (908) 362-9981



ATEX / IECEx CERTIFIED  
 Ex II G Ex db IIB T4 Gb  
 Ex II D Ex tb IIIC T85°C / T100°C / T135°C Db

## NEW PRODUCT PREVIEW

# HXBSN 3A~3B Series Electric Actuators for Hazardous Locations, 3 Phase

### KEY FEATURES & BENEFITS

- Designed for use in hazardous locations
- Available from 880"lbs up thru 1770"lbs
- 220/3, 380/3 and 480/3 are available, low voltage and single phase options also available
- Units are equipped with two (2) volt-free Form A Auxiliary switches
- Anti-Condensate heater standard
- ISO5211 compliant mechanical mount w/ double-square female drive socket
- Two (2) 3/4" EMT ports for ease of field wiring
- NEMA 4/4X/IP66 Compliant
- Visual position indicator
- Clutchless Hand Wheel override standard
- Collapsible spinner handle
- Torque switches standard

Notice: Due to certification regulations and traceability requirements, this product is non-cancellable and non-returnable. Verify the product and certifications are approved for the project prior to ordering.



## TECHNICAL INFORMATION

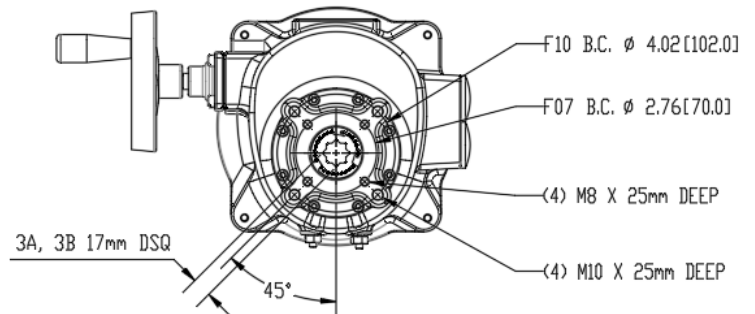
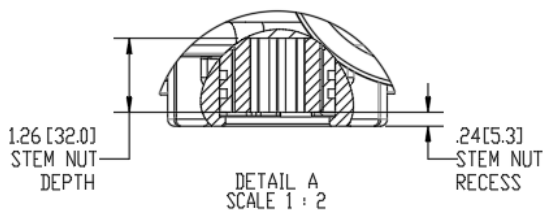
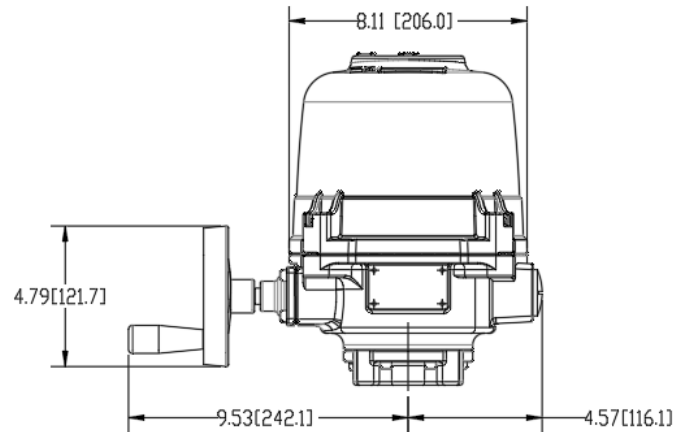
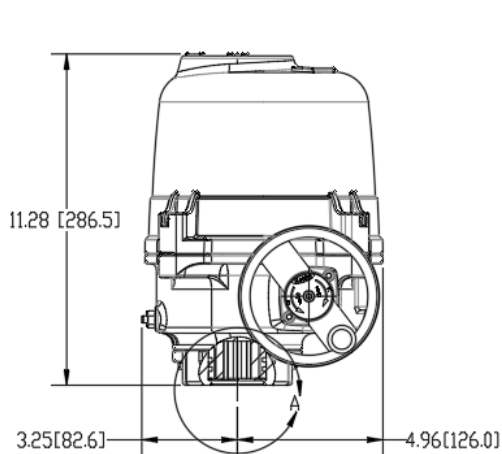
ACTUATOR SPECIFICATIONS		HXBSN3A	HXBSN3B
Supply	Torque Output (in-lb / Nm)	880 / 100	1770 / 200
220/3ph	Current Draw (Start / Run / LRA)	0.7A / 0.6A / 1.0A	0.7A / 0.6A / 1.0A
	Speed (90°) 60Hz / 50Hz, seconds	16 / 19	33 / 39
	Motor - 220V polyphase TENV	40W	40W
380/3ph	Current Draw (Start / Run / LRA)	0.4A / 0.3A / 0.6A	0.4A / 0.3A / 0.6A
	Speed (90°) 60Hz / 50Hz, seconds	16 / 19	33 / 39
	Motor - 380V polyphase TENV	40W	40W
480/3ph	Current Draw (Start / Run / LRA)	0.2A / 0.2A / 0.4A	0.2A / 0.2A / 0.4A
	Speed (90°) 60Hz / 50Hz, seconds	16 / 19	33 / 39
	Motor - 480V polyphase TENV	40W	40W
All	Electrical Entry (2)	3/4" EMT w/ Polyamide dust cap	
	Control	Basic, On/Off, Proportional	
	Auxiliary Switch - End of Travel	(2) Form A Volt-Free, Rated 10A @ 250vac	
	Ambient Operating Range	-40°F to +149°F (-40°C to +65°C)	
	Humidity Range	0-95% RH	
	Altitude Limit	9850 ft / 3000 m	

# HXBSN 3A~3B Series Electric Actuators for Hazardous Locations, 3 Phase

## TECHNICAL INFORMATION, *CONTINUED*



ATEX / IECEx CERTIFIED  
 Ex II G Ex db IIB T4 Gb  
 Ex II D Ex tb IIIC T85°C / T100°C / T135°C Db



MODEL	COVER REMOVAL CLEARANCE		HANDWHEEL		WEIGHT	
	IN/MM	IN/MM	# TURNS FOR 90°	LBS/KG		
HXBSN3A	8 / 200	4.79 / 122	12.5 turns 90°	34.1 / 15.5		
HXBSN3B	8 / 200	4.79 / 122	12.5 turns 90°	34.1 / 15.5		



**QUICK & DISCOUNTED PRICING**  
**CLICK HERE**  
 OR CALL (908) 362-9981



**ATEX / IECEx CERTIFIED**  
 Ex II G Ex db IIB T4 Gb  
 Ex II D Ex tb IIIC T85°C / T100°C / T135°C Db

## NEW PRODUCT PREVIEW

# HXBSN 4A~4D Series Electric Actuators for Hazardous Locations

### KEY FEATURES & BENEFITS

- Designed for use in hazardous locations
- Available from 3540”lbs up thru 8850”lbs
- 120VAC operation standard, with 24VAC/VDC, 230VAC and 3 phase options available
- Units are equipped with two (2) volt-free Form A Auxiliary switches
- Anti-Condensate heater standard
- ISO5211 compliant mechanical mount w/ double-square female drive socket
- Two (2) 3/4” EMT ports for ease of field wiring
- NEMA 4/4X/IP66 Compliant
- Visual position indicator
- Clutchless Hand Wheel override standard
- Collapsible spinner handle
- Torque switches standard

Notice: Due to certification regulations and traceability requirements, this product is non-cancellable and non-returnable. Verify the product and certifications are approved for the project prior to ordering.



## TECHNICAL INFORMATION

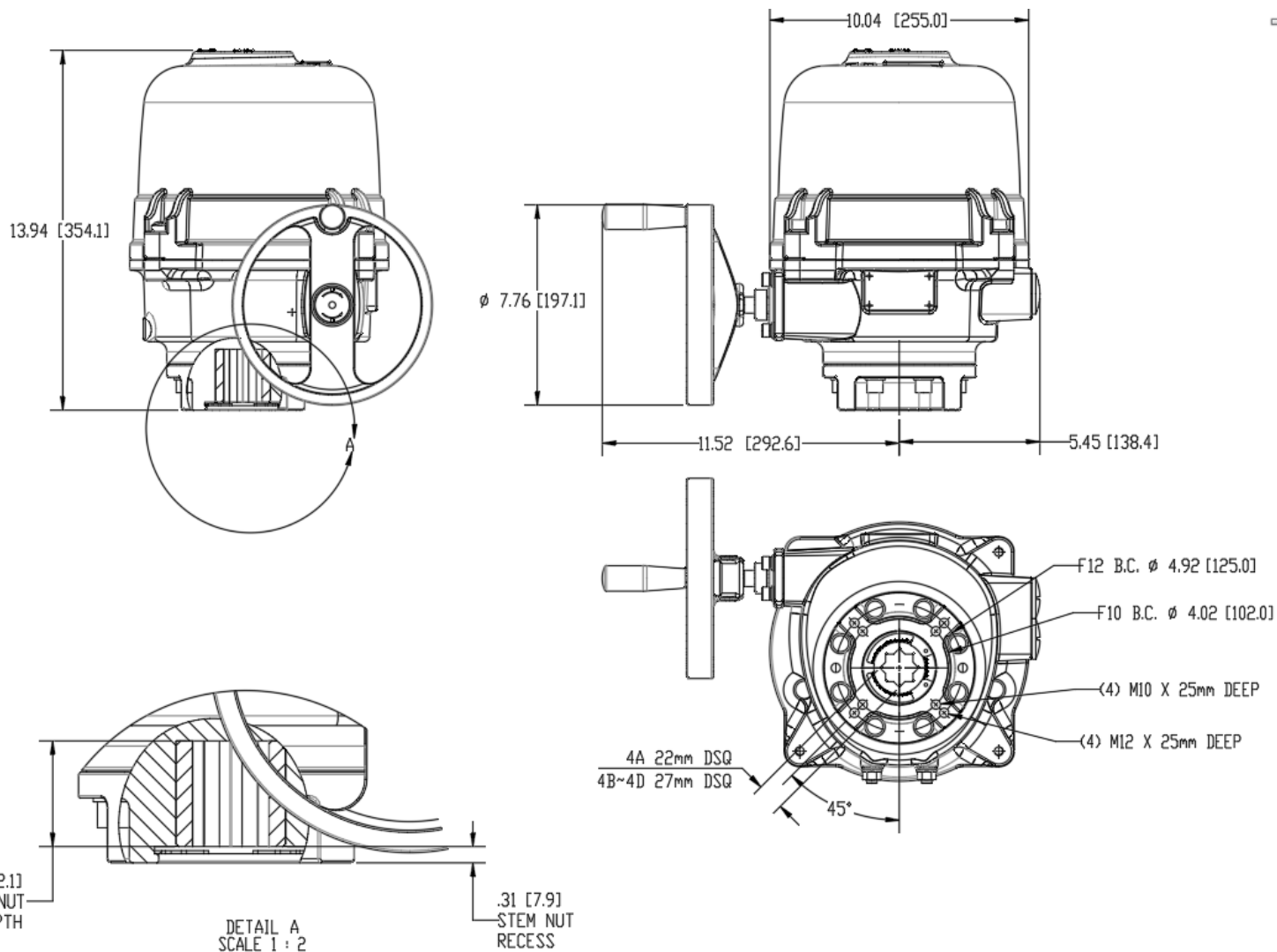
ACTUATOR SPECIFICATIONS		HXBSN4A	HXBSN4B	HXBSN4C	HXBSN4D
Supply	Torque Output (in-lb / Nm)	3540 / 400	5310 / 600	7080 / 800	8850 / 1000
24VAC	Current Draw (Start / Run / LRA)	7.0A / 5.8A / 15A	7.0A / 5.8A / 15A	7.0A / 5.8A / 15A	10.5A / 7.8A / 22A
	Speed (90°) DC-60Hz/50Hz, seconds	21 / 21	28 / 28	34 / 34	34 / 34
24VDC	Motor - 24V DC Perm Magnet 2 Pole Brush	40W	40W	40W	90W
	Current Draw (Start / Run / LRA)	3.0A / 1.8A / 3.5A	3.0A / 1.8A / 3.5A	3.0A / 1.8A / 3.5A	3.8A / 2.3A / 4.8A
120VAC	Speed (90°) 60Hz / 50Hz, seconds	24 / 29	33 / 39	39 / 47	39 / 47
	Motor - 120V Capacitor Run TENV	90W	90W	90W	120W
230VAC	Current Draw (Start / Run / LRA)	1.7A / 0.9A / 1.9A	1.7A / 0.9A / 1.9A	1.7A / 0.9A / 1.9A	2.2A / 1.1A / 2.4A
	Speed (90°) 60Hz / 50Hz, seconds	24 / 29	33 / 39	39 / 47	39 / 47
	Motor - 230V Capacitor Run TENV	90W	90W	90W	120W
	Electrical Entry (2)		3/4" EMT w/ Polyamide dust cap		
	Control		On/Off, Proportional		
All	Auxiliary Switch - End of Travel		(2) Form A Volt-Free, Rated 10A @ 250vac		
	Ambient Operating Range		-40°F to +149°F (-40°C to +65°C)		
	Humidity Range		0-95% RH		
	Altitude Limit		9850 ft / 3000 m		

# HXBSN 4A~4D Series Electric Actuators for Hazardous Locations

## TECHNICAL INFORMATION, *CONTINUED*



ATEX / IECEx CERTIFIED  
Ex II G Ex db IIB T4 Gb  
Ex II D Ex tb IIIC T85°C / T100°C / T135°C Db



MODEL	COVER REMOVAL CLEARANCE		HANDWHEEL		WEIGHT
	IN/MM	IN/MM	# TURNS FOR 90°	LBS/KG	
HXBSN4A	8 / 200	7.76 / 197	14.5 turns 90°	53.9 / 24.5	
HXBSN4B	8 / 200	7.76 / 197	14.5 turns 90°	53.9 / 24.5	
HXBSN4C	8 / 200	7.76 / 197	14.5 turns 90°	53.9 / 24.5	
HXBSN4D	8 / 200	7.76 / 197	14.5 turns 90°	53.9 / 24.5	



Hayward is a registered trademark of Hayward Industries, Inc.  
© 2021 Hayward Industries, Inc.



**QUICK & DISCOUNTED PRICING**  
**CLICK HERE**  
 OR CALL (908) 362-9981



**ATEX / IECEx CERTIFIED**  
 Ex II G Ex db IIB T4 Gb  
 Ex II D Ex tb IIIC T85°C / T100°C / T135°C Db

## NEW PRODUCT PREVIEW

# HXBSN 4A~4D Series Electric Actuators for Hazardous Locations, 3 Phase

### KEY FEATURES & BENEFITS

- Designed for use in hazardous locations
- Available from 3540”lbs up thru 8850”lbs
- 220/3, 380/3 and 480/3 are available, low voltage and single phase options also available
- Units are equipped with two (2) volt-free Form A Auxiliary switches
- Anti-Condensate heater standard
- ISO5211 compliant mechanical mount w/ double-square female drive socket
- Two (2) 3/4” EMT ports for ease of field wiring
- NEMA 4/4X/IP66 Compliant
- Visual position indicator
- Clutchless Hand Wheel override standard
- Collapsible spinner handle
- Torque switches standard

Notice: Due to certification regulations and traceability requirements, this product is non-cancellable and non-returnable. Verify the product and certifications are approved for the project prior to ordering.



ACTUATION AND CONTROLS

## TECHNICAL INFORMATION

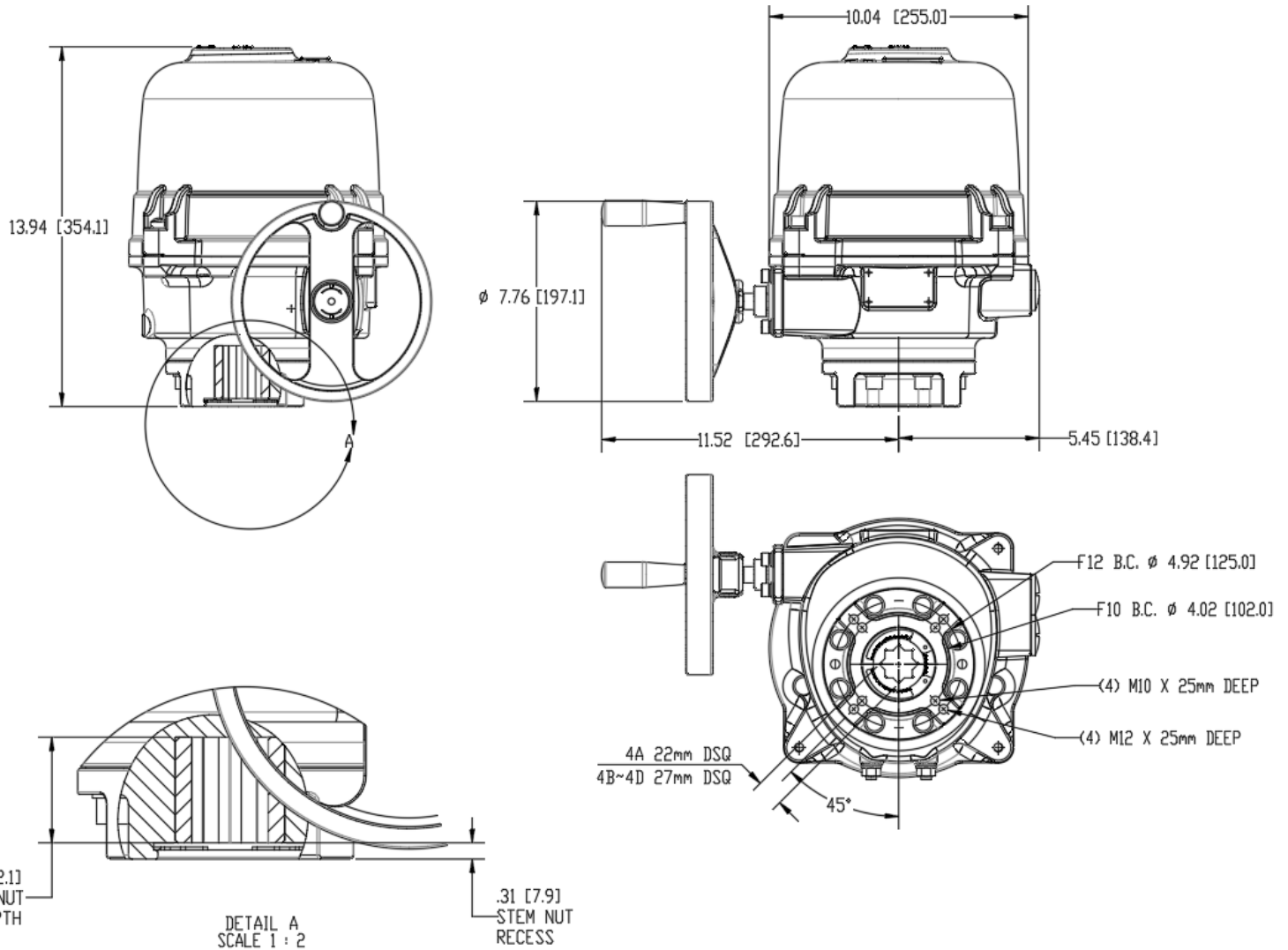
ACTUATOR SPECIFICATIONS		HXBSN4A	HXBSN4B	HXBSN4C	HXBSN4D
Supply	Torque Output (in-lb / Nm)	3540 / 400	5310 / 600	7080 / 800	8850 / 1000
220/3ph	Current Draw (Start / Run / LRA)	1.8A / 1.1A / 2.4A	1.8A / 1.1A / 2.4A	1.8A / 1.1A / 2.4A	2.8A / 1.1A / 2.1A
	Speed (90°) 60Hz / 50Hz, seconds	24 / 29	33 / 39	39 / 47	39 / 47
	Motor - 220V polyphase TE NV	90W	90W	90W	120W
380/3ph	Current Draw (Start / Run / LRA)	1.1A / 0.6A / 1.4A	1.1A / 0.6A / 1.4A	1.1A / 0.6A / 1.4A	1.6A / 0.8A / 1.9A
	Speed (90°) 60Hz / 50Hz, seconds	24 / 29	33 / 39	39 / 47	39 / 47
	Motor - 380V polyphase TENV	90W	90W	90W	120W
480/3ph	Current Draw (Start / Run / LRA)	0.7A / 0.4A / 1.0A	0.7A / 0.4A / 1.0A	0.7A / 0.4A / 1.0A	0.9A / 0.5A / 1.1A
	Speed (90°) 60Hz / 50Hz, seconds	24 / 29	33 / 39	39 / 47	39 / 47
	Motor - 480V polyphase TENV	90W	90W	90W	120W
All	Electrical Entry (2)	3/4" EMT w/ Polyamide dust cap			
	Control	Basic, On/Off, Proportional			
	Auxiliary Switch - End of Travel	(2) Form A Volt-Free, Rated 10A @ 250vac			
	Ambient Operating Range	-40°F to +149°F (-40°C to +65°C)			
	Humidity Range	0-95% RH			
	Altitude Limit	9850 ft / 3000 m			

# HXBSN 4A~4D Series Electric Actuators for Hazardous Locations, 3 Phase

## TECHNICAL INFORMATION, CONTINUED



ATEX / IECEx CERTIFIED  
 Ex II G Ex db IIB T4 Gb  
 Ex II D Ex tb IIIC T85°C / T100°C / T135°C Db



MODEL	COVER REMOVAL CLEARANCE		HANDWHEEL		WEIGHT
	IN/MM	IN/MM	# TURNS FOR 90°	LBS/KG	
HXBSN4A	8 / 200	7.76 / 197	14.5 turns 90°	53.9 / 24.5	
HXBSN4B	8 / 200	7.76 / 197	14.5 turns 90°	53.9 / 24.5	
HXBSN4C	8 / 200	7.76 / 197	14.5 turns 90°	53.9 / 24.5	
HXBSN4D	8 / 200	7.76 / 197	14.5 turns 90°	53.9 / 24.5	

QUICK & DISCOUNTED PRICING  
**CLICK HERE**  
 OR CALL (908) 362-9981



ATEX / IECEx CERTIFIED  
 Ex II G Ex db IIB T4 Gb  
 Ex II D Ex tb IIIC T85°C / T100°C / T135°C Db

## NEW PRODUCT PREVIEW

# HXBSN 4E~4F Series Electric Actuators for Hazardous Locations, 3 Phase

### KEY FEATURES & BENEFITS

- Designed for use in hazardous locations
- Available from 15,040"lbs up thru 20,350"lbs
- 220/3, 380/3 and 480/3 are available, low voltage and single phase options also available
- Units are equipped with two (2) volt-free Form A Auxiliary switches
- Anti-Condensate heater standard
- ISO5211 compliant mechanical mount w/ double-square female drive socket
- Two (2) 3/4" EMT ports for ease of field wiring
- NEMA 4/4X/IP66 Compliant
- Visual position indicator
- Clutchless Hand Wheel override standard
- Torque switches standard

Notice: Due to certification regulations and traceability requirements, this product is non-cancellable and non-returnable. Verify the product and certifications are approved for the project prior to ordering.



## TECHNICAL INFORMATION

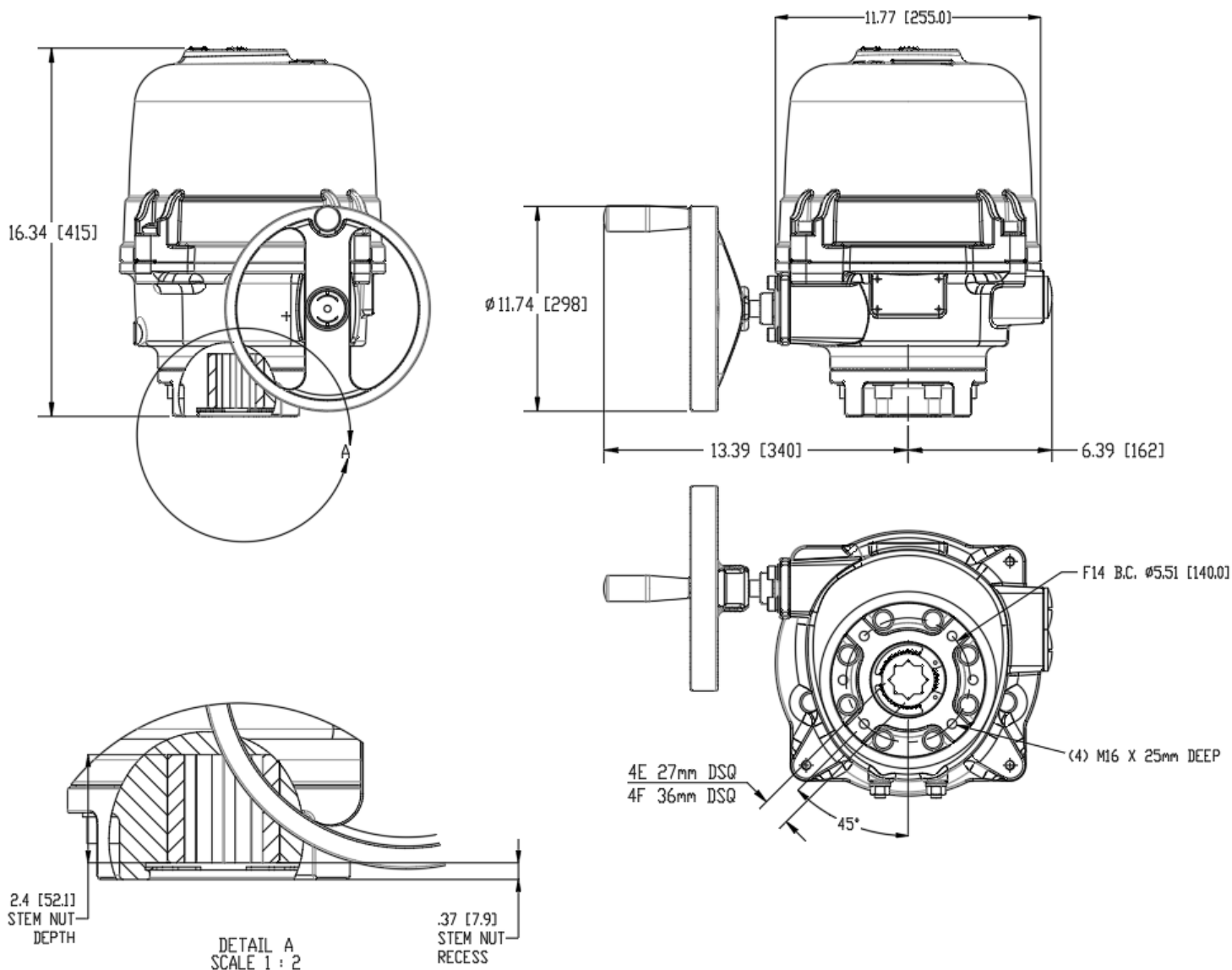
ACTUATOR SPECIFICATIONS		HXBSN4E	HXBSN4F
Supply	Torque Output (in-lb / Nm)	15,040 / 1700	20,350 / 2300
220/3ph	Current Draw (Start / Run / LRA)	3.6A / 1.9A / 4.5A	3.6A / 1.9A / 4.5A
	Speed (90°) 60Hz / 50Hz, seconds	28 / 34	39 / 47
	Motor - 220V polyphase TENV	200W	200W
380/3ph	Current Draw (Start / Run / LRA)	2.1A / 1.1A / 2.6A	2.1A / 1.1A / 2.6A
	Speed (90°) 60Hz / 50Hz, seconds	28 / 34	39 / 47
	Motor - 380V polyphase TENV	200W	200W
480/3ph	Current Draw (Start / Run / LRA)	1.2A / 0.9A / 2.1A	1.2A / 0.9A / 2.1A
	Speed (90°) 60Hz / 50Hz, seconds	28 / 34	39 / 47
	Motor - 480V polyphase TENV	200W	200W
All	Electrical Entry (2)	3/4" EMT w/ Polyamide dust cap	
	Control	Basic, On/Off, Proportional	
	Auxiliary Switch - End of Travel	(2) Form A Volt-Free, Rated 10A @ 250vac	
	Ambient Operating Range	-40°F to +149°F (-40°C to +65°C)	
	Humidity Range	0-95% RH	
	Altitude Limit	9850 ft / 3000 m	

# HXBSN 4E~4F Series Electric Actuators for Hazardous Locations, 3 Phase

## TECHNICAL INFORMATION, *CONTINUED*



ATEX / IECEx CERTIFIED  
 Ex II G Ex db IIB T4 Gb  
 Ex II D Ex tb IIIC T85°C / T100°C / T135°C Db



MODEL	COVER REMOVAL CLEARANCE		HANDWHEEL	WEIGHT
	IN/MM	IN/MM	# TURNS FOR 90°	LBS/KG
HXBSN4E	9.84 / 250	11.42 / 290	16 turns 90°	81.4 / 37
HXBSN4F	9.84 / 250	11.42 / 290	16 turns 90°	81.4 / 37



Hayward is a registered trademark of Hayward Industries, Inc.  
 © 2021 Hayward Industries, Inc.

**QUICK & DISCOUNTED PRICING**  
**CLICK HERE**  
 OR CALL (908) 362-9981



**ATEX / IECEx CERTIFIED**  
 Ex II G Ex db IIB T4 Gb  
 Ex II D Ex tb IIIC T85°C / T100°C / T135°C Db

## NEW PRODUCT PREVIEW

# HXBSN 4E~4F Series Electric Actuators for Hazardous Locations

### KEY FEATURES & BENEFITS

- Designed for use in hazardous locations
- Available from 15,040"lbs up thru 20,350"lbs
- 120VAC operation standard, with 24VAC/VDC, 230VAC and 3 phase options available
- Units are equipped with two (2) volt-free Form A Auxiliary switches
- Anti-Condensate heater standard
- ISO5211 compliant mechanical mount w/ double-square female drive socket
- Two (2) 3/4" EMT ports for ease of field wiring
- NEMA 4/4X/IP66 Compliant
- Visual position indicator
- Clutchless Hand Wheel override standard
- Torque switches standard

Notice: Due to certification regulations and traceability requirements, this product is non-cancellable and non-returnable. Verify the product and certifications are approved for the project prior to ordering.



## TECHNICAL INFORMATION

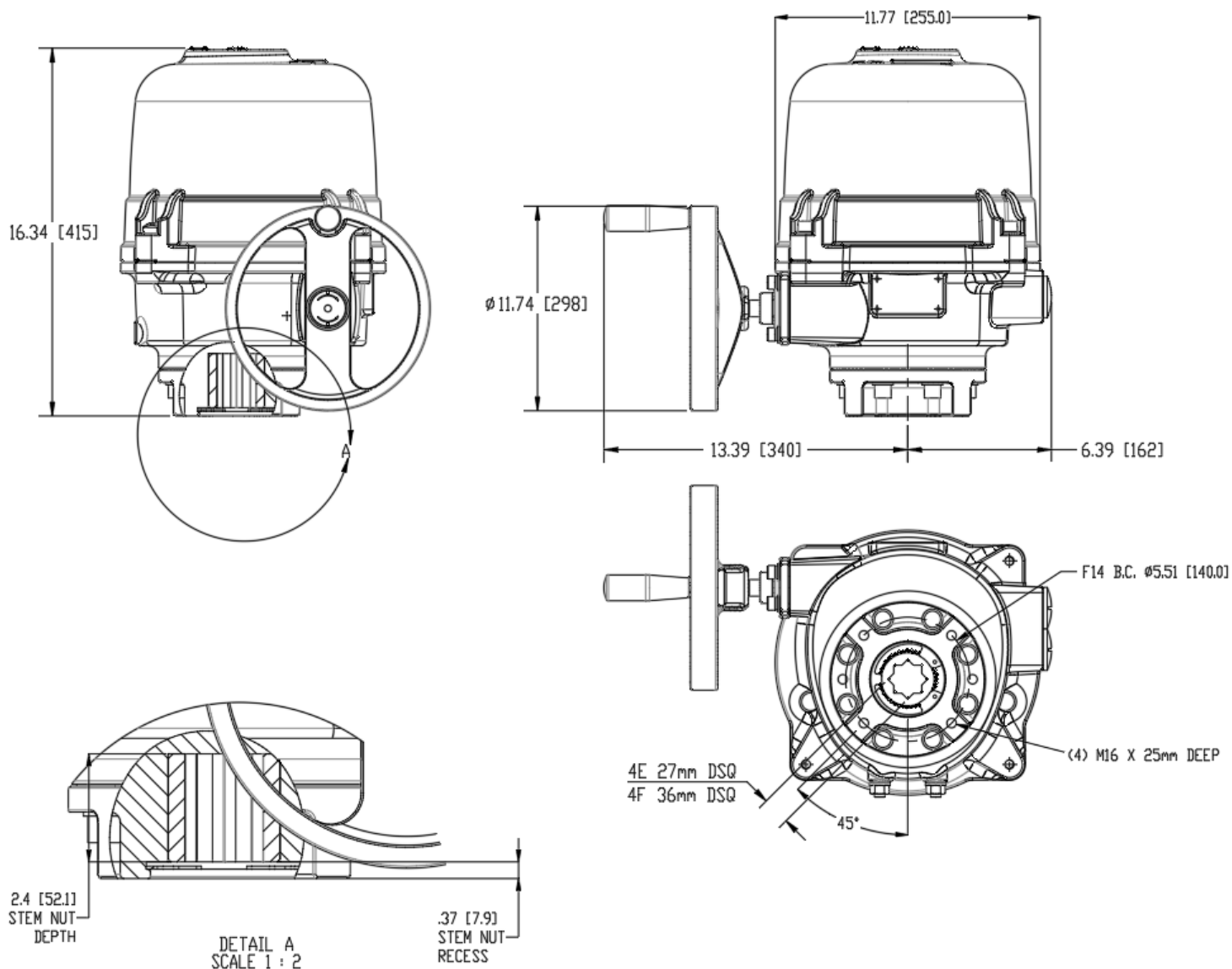
ACTUATOR SPECIFICATIONS		HXBSN4E	HXBSN4F
Supply	Torque Output ( <b>in-lb</b> / Nm)	<b>15,040</b> / 1700	<b>20,350</b> / 2300
24VAC	Current Draw (Start / Run / LRA)	10.5A / 7.8A / 22A	-
-	Speed (90°) DC-60Hz/50Hz, seconds	25 / 25	-
24VDC	Motor - 24V DC Perm Magnet 2 Pole Brush	90W	-
	Current Draw (Start / Run / LRA)	7.2A / 4.5A / 9.4A	7.2A / 4.5A / 9.4A
120VAC	Speed (90°) 60Hz / 50Hz, seconds	28 / 34	39 / 47
	Motor - 120V Capacitor Run TENV	200W	200W
	Current Draw (Start / Run / LRA)	4.1A / 2.2A / 4.5A	4.1A / 2.2A / 4.5A
230VAC	Speed (90°) 60Hz / 50Hz, seconds	28 / 34	39 / 47
	Motor - 230V Capacitor Run TENV	200W	200W
	Electrical Entry (2)	3/4" EMT w/ Polyamide dust cap	
	Control	On/Off, Proportional	
	Auxiliary Switch - End of Travel	(2) Form A Volt-Free, Rated 10A @ 250vac	
All	Ambient Operating Range	-40°F to +149°F (-40°C to +65°C)	
	Humidity Range	0-95% RH	
	Altitude Limit	9850 ft / 3000 m	

# HXBSN4E~4F Series Electric Actuators for Hazardous Locations

## TECHNICAL INFORMATION, *CONTINUED*



ATEX / IECEx CERTIFIED  
 Ex II G Ex db IIB T4 Gb  
 Ex II D Ex tb IIIC T85°C / T100°C / T135°C Db



MODEL	COVER REMOVAL CLEARANCE		HANDWHEEL		WEIGHT
	IN/MM	IN/MM	# TURNS FOR 90°	LBS/KG	
HXBSN4E	9.84 / 250	11.42 / 290	16 turns 90°	81.4 / 37	
HXBSN4F	9.84 / 250	11.42 / 290	16 turns 90°	81.4 / 37	



Hayward is a registered trademark of Hayward Industries, Inc.  
 © 2021 Hayward Industries, Inc.