



DAB Series True Union Diaphragm Valves

1/2" TO 2" PVC AND CPVC

KEY FEATURES

- Available in PVC and CPVC
- Position Indicator
- Sure-Grip Handwheel
- Choice of FPM, EPDM or PTFE Diaphragms*

OPTIONS

- Pneumatic Actuation
- PVDF Vapor Barrier**

MATERIALS

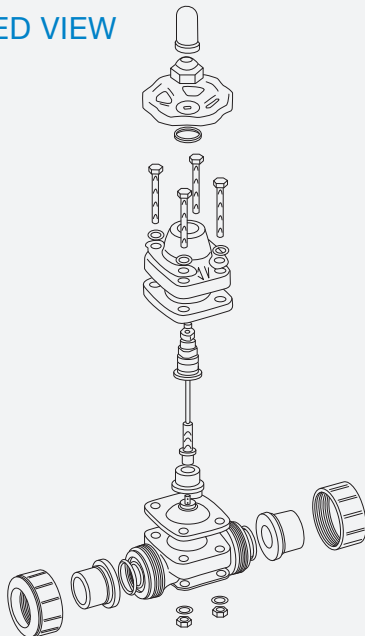
- PVC Cell Class 12454 per ASTM D1784
- CPVC Cell Class 23447 per ASTM D1784
- FPM, EPDM and PTFE O-Ring Seals

QUICK & DISCOUNTED PRICING
CLICK HERE
 OR CALL (908) 362-9981

* All PTFE diaphragms are EPDM backed
 ** PVDF Vapor Barrier available with PTFE diaphragm only

TECHNICAL INFORMATION

EXPLODED VIEW



SELECTION CHART

SIZE	MATERIAL	END CONNECTION	DIAPHRAGM	SEALS	PRESSURE RATING
1/2" - 2"	PVC or CPVC	Socket and Threaded	FPM, EPDM or PTFE*	FPM or EPDM	150 PSI @ 70°F 10 Bar @ 21°C Non-Shock

* EPDM and PTFE diaphragms are available with a PDF Vapor Barrier

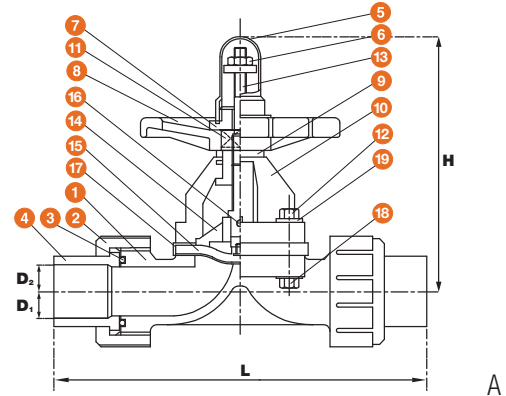
DAB Series True Union Diaphragm Valves

1/2" TO 2" PVC AND CPVC

TECHNICAL INFORMATION, CONTINUED

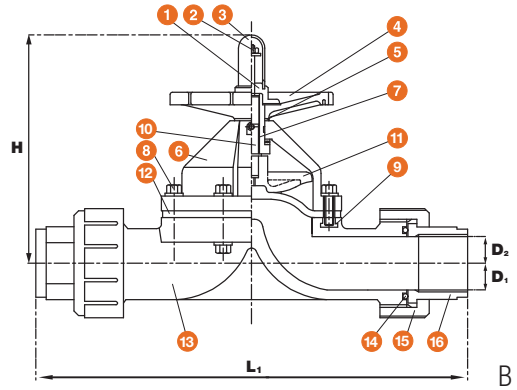
1/2" – 1" PARTS LIST (A)

- | | | |
|--------------------|------------------|---------------------------|
| 1. Union Body | 8. Hand Wheel | 15. Diaphragm |
| 2. Union Gland Cap | 9. Thrust Washer | 16. Pin |
| 3. Union O-Ring | 10. Bonnet | 17. Diaphragm Cover Plate |
| 4. Union Body Cap | 11. Sleeve | 18. Bolt |
| 5. Gauge Cap | 12. Nut | 19. Washer |
| 6. Stopper Nut | 13. Stem | |
| 7. Lock Nut | 14. Compressor | |



1-1/4" – 2" PARTS LIST (B)

- | | | |
|------------------|------------------|---------------------|
| 1. Lock Nut | 8. Bolt | 15. Union Gland Cap |
| 2. Stopper Nut | 9. Inserted Nut | 16. Union Body Cap |
| 3. Gauge Cap | 10. Sleeve | 17. Plate |
| 4. Hand Wheel | 11. Compressor | 18. Washer |
| 5. Thrust Washer | 12. Diaphragm | |
| 6. Bonnet | 13. Union Body | |
| 7. Stem | 14. Union O-Ring | |



DIMENSIONS

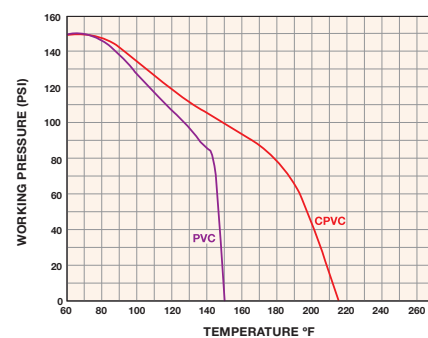
SIZE in / DN	L (Socket) in / mm	L1 (Thread) in / mm	d1 in / mm	d2 in / mm	H in / mm
1/2 / 15	5.90 / 150	5.55 / 141	.85 / 22	1/2 - NPT	3.74 / 95
3/4 / 20	6.69 / 170	6.22 / 158	1.06 / 27	3/4 - NPT	3.94 / 100
1 / 25	7.95 / 202	7.17 / 182	1.32 / 34	1 - NPT	4.33 / 110
1-1/4 / 30	11.22 / 285	10.63 / 270	1.91 / 48	1-1/4 - NPT	7.67 / 195
1-1/2 / 40	11.22 / 285	10.63 / 270	1.91 / 48	1-1/2 - NPT	7.67 / 195
2 / 50	12.79 / 325	12.13 / 308	2.39 / 61	2 - NPT	8.27 / 210

Dimensions are subject to change without notice – consult factory for installation information

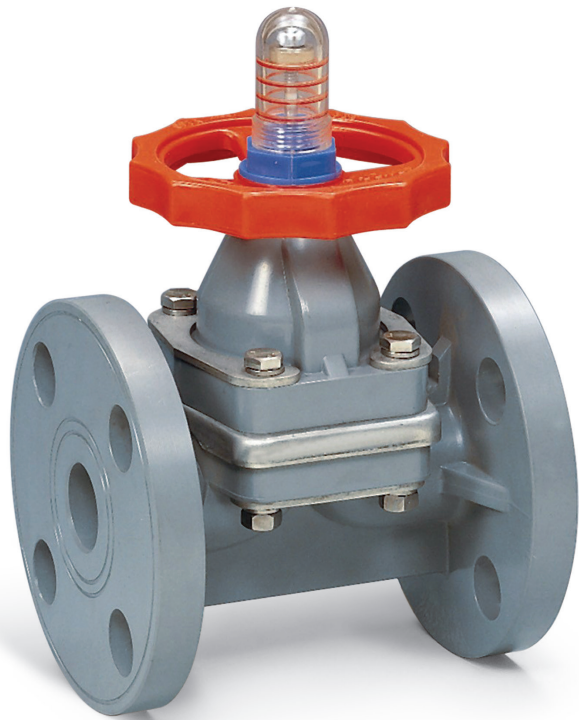
Cv VALUES

SIZE in / DN	Cv VALUES	SIZE in / DN	Cv VALUES
1/2 / 15	5.0	1-1/4 / 30	18.0
3/4 / 20	8.0	1-1/2 / 40	26.0
1 / 25	10.0	2 / 50	56.0

OPERATING TEMPERATURE/PRESSURE



Hayward is a registered trademark of Hayward Industries, Inc. © 2021 Hayward Industries, Inc.



DAB Series Flanged Diaphragm Valves

1/2" TO 6" PVC / 1/2" TO 4" CPVC

KEY FEATURES

- Available in PVC and CPVC
- Position Indicator
- Sure-Grip Handwheel
- Choice of FPM, EPDM or PTFE Diaphragms*

OPTIONS

- Electric Actuation
- Over 4" Actuation, Consult Factory
- PVDF Vapor Barrier***

MATERIALS

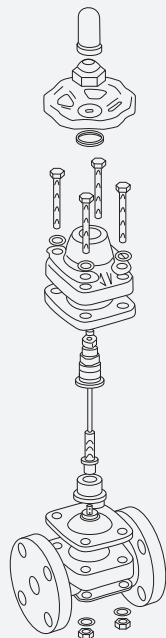
- PVC Cell Class 12454 per ASTM D1784
- CPVC Cell Class 23447 per ASTM D1784
- FPM, EPDM and PTFE O-Ring Seals

QUICK & DISCOUNTED PRICING
CLICK HERE
 OR CALL (908) 362-9981

* All PTFE diaphragms are EPDM backed
 *** PVDF Vapor Barrier available with PTFE diaphragm only

TECHNICAL INFORMATION

EXPLODED VIEW



SELECTION CHART

SIZE	MATERIAL	END CONNECTION	DIAPHRAGM	PRESSURE RATING
1/2" - 4"	PVC	Flanged	FPM, EPDM or PTFE*	150 PSI @ 70°F 10 Bar @ 21°C Non-Shock
6"				75 PSI @ 70°F 5 Bar @ 21°C Non-Shock
1/2" - 4"	CPVC			150 PSI @ 70°F 10 Bar @ 21°C Non-Shock

*EPDM and PTFE diaphragms are available with a PVDF Vapor Barrier

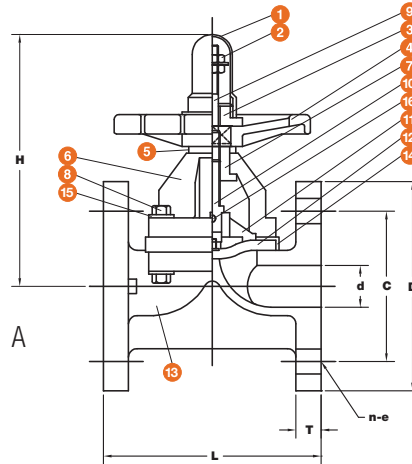
DAB Series Flanged Diaphragm Valves

1/2" TO 6" PVC / 1/2" TO 4" CPVC

TECHNICAL INFORMATION, CONTINUED

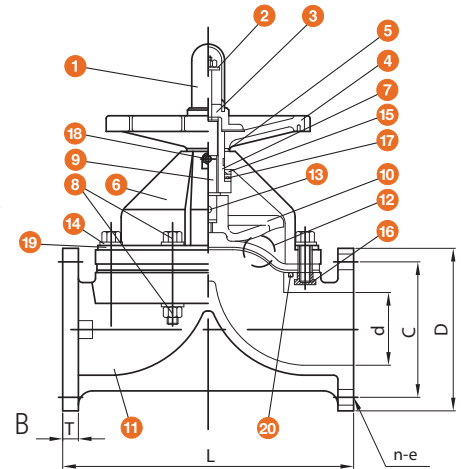
1/2" – 6" PARTS LIST (A)

- | | |
|------------------|---------------------------|
| 1. Gauge Cap | 10. Spindle |
| 2. Stopper Nut | 11. Compressor |
| 3. Lock Nut | 12. Diaphragm |
| 4. Hand Wheel | 13. Body |
| 5. Thrust Washer | 14. Diaphragm Cover Plate |
| 6. Bonnet | 15. Washer |
| 7. Sleeve | 16. Pin |
| 8. Bolt and Nut | |
| 9. Stem | |



1/2" – 4" PARTS LIST (B)

- | | |
|------------------|-------------------------|
| 1. Gauge Cap | 11. Body |
| 2. Stopper Nut | 12. Diaphragm |
| 3. Lock Nut | 13. Pin |
| 4. Hand Wheel | 14. Washer |
| 5. Thrust Washer | 15. PTFE Ring |
| 6. Bonnet | 16. Inserted Nut |
| 7. Sleeve | 17. Thrust Ball Bearing |
| 8. Bolt and Nut | 18. Grease Nipple |
| 9. Stem | 19. SUS Plate |
| 10. Compressor | 20. Body O-Ring |



DIMENSIONS

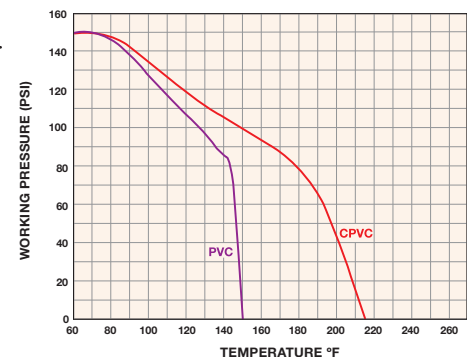
SIZE in / DN	C in / mm	d in / mm	D in / mm	H in / mm	L in / mm	T in / mm	n-e # x diameter
1/2 / 15	2.38 / 60	.63 / 16	3.50 / 89	3.78 / 96	4.33 / 110	.47 / 12	4-15.7
3/4 / 20	2.76 / 70	.79 / 20	3.86 / 98	3.94 / 100	4.72 / 120	.51 / 13	4-15.7
1 / 25	3.13 / 80	.98 / 25	4.25 / 108	4.25 / 108	5.20 / 132	.55 / 14	4-15.7
1-1/4 / 32	3.50 / 89	1.20 / 30	4.65 / 118	5.75 / 146	5.20 / 132	.55 / 14	4-15.7
1-1/2 / 40	3.85 / 98	1.60 / 41	5.00 / 127	7.76 / 197	7.09 / 180	.63 / 16	4-15.7
2 / 50	4.75 / 121	2.00 / 51	6.00 / 152	8.58 / 218	8.27 / 210	.70 / 18	4-19
2-1/2 / 65	5.50 / 140	2.55 / 65	6.90 / 175	10.24 / 260	9.88 / 251	.79 / 20	4-19
3 / 80	6.00 / 152	3.03 / 77	7.50 / 191	10.63 / 270	11.02 / 280	.83 / 21	4-19
4 / 100	7.50 / 191	3.94 / 100	9.00 / 229	11.81 / 300	13.50 / 343	.83 / 21	8-19
6 / 150	9.50 / 241	5.70 / 145	11.00 / 279	18.74 / 476	18.80 / 478	1.06 / 27	8-22

Dimensions are subject to change without notice – consult factory for installation information

Cv VALUES

SIZE in / DN	Cv VALUES	SIZE in / DN	Cv VALUES	SIZE in / DN	Cv VALUES	SIZE in / DN	Cv VALUES
1/2 / 15	5.0	1-1/4 / 30	18.0	2-1/2 / 65	80.0	6 / 150**	400.0
3/4 / 20	8.0	1-1/2 / 40	26.0	3 / 80	115.0		
1 / 25	10.0	2 / 50	56.0	4 / 100	190.0		

OPERATING TEMPERATURE/PRESSURE



Hayward is a registered trademark of Hayward Industries, Inc.
© 2021 Hayward Industries, Inc.