



HZSN1 Series On/Off & Proportional Electric Actuators

KEY FEATURES

- Equipped with two 2 Volt-free Form A Auxiliary Switches Rated at up to 1A 250VAC (on/off models only)
- Proportional Models have 4-20mA or 2-10vdc Feedback Output Standard
- ISO5211 Compliant with an 11mm Double Square Female Drive
- Furnished with a 39" (1M) Cable to Facilitate Field Connections Outside the Compact Enclosure
- Low Profile Visual Position Indicator and Three Flush Mounted LEDs Allow At-a-glance Position Indication
- Manual Override Lever and 8mm Access Shaft at the Bottom of the Actuator Housing
- NEMA 4/4X/IP67 Compliant
- PG6 EMT Entry Port with Sealed Cable Gland

OPTIONS

- Power Supply Flexibility – 24 VAC/VDC, 120 VAC and 230 VAC
- On / Off or Proportional Control

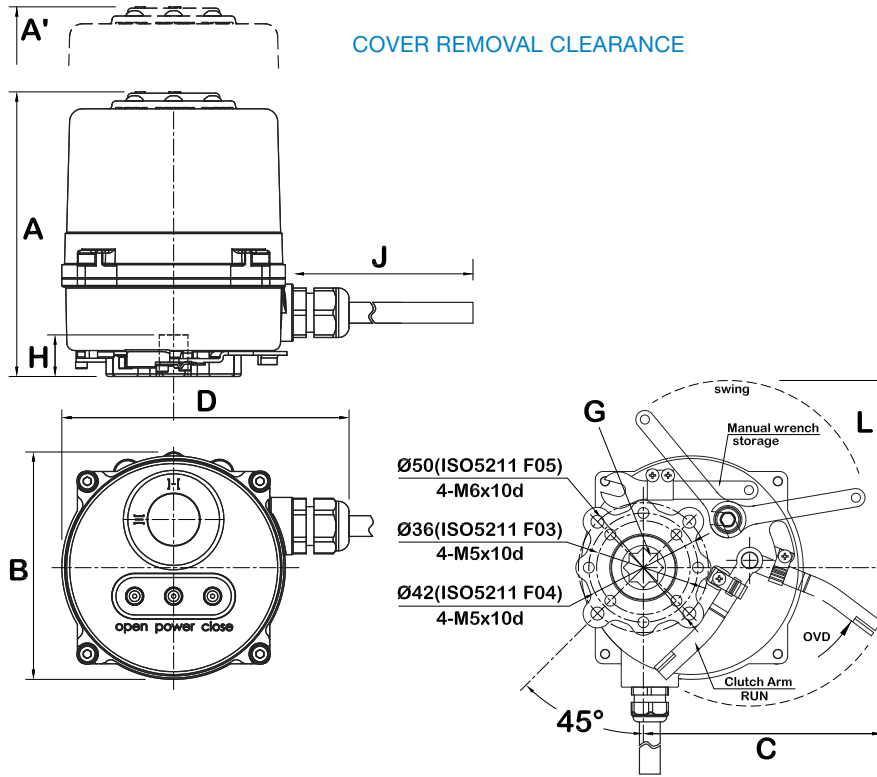
QUICK & DISCOUNTED PRICING
CLICK HERE
OR CALL (908) 362-9981

TECHNICAL INFORMATION

ACTUATOR SPECIFICATIONS		HZSN1C
Supply	Torque Output (in-lb / Nm)	266 / 30
24VAC - 24VDC	Current Draw (Start / Run / LRA)	1.3A / 0.7A / 2.0A
	Speed (90°) DC-60Hz / 50Hz, seconds	11 / 11
	Motor - 24V DC Perm Magnet 2 Pole Brush	10W
	On/Off / Proportional	Duty Cycle (IEC60034) 75% (S2-15 min) / 75% (S4-75%) Motor Protection, Temp / Class All - 130°C / Class B Motor Starts, per hour, Max All - 600
120VAC	Current Draw (Start / Run / LRA)	1.3A / 0.7A / 2.0A
	Speed (90°) 60Hz / 50Hz, seconds	11 / 11
	Motor - 24V DC Perm Magnet 2 Pole Brush	10W
	On/Off / Proportional	Duty Cycle (IEC60034) 25% (S2-15 min) / 75% (S4-75%) Motor Protection, Temp / Class All - 130°C / Class B Motor Starts, per hour, Max All - 600
230VAC	Current Draw (Start / Run / LRA)	1.3A / 0.7A / 2.0A
	Speed (90°) 60Hz / 50Hz, seconds	11 / 11
	Motor - 24V DC Perm Magnet 2 Pole Brush	10W
	On/Off / Proportional	Duty Cycle (IEC60034) 25% (S2-15 min) / 75% (S4-75%) Motor Protection, Temp / Class All - 130°C / Class B Motor Starts, per hour, Max All - 600
All	Manual Override	Bottom 5mm Hex Shaft
	Environmental Rating	NEMA 4/4X & IP67
	Electrical Entry (1)	1M cable thru PG6 Polyamide gland
	Control	On/Off / Proportional
	Position Feedback - On/Off ONLY	(2) Form A Volt-Free, Rated 1A @ 250vac
	Position Feedback - Proportional ONLY	4-20mA / 2-10vdc
	Ambient Operating Range	-22°F to +158°F (-30°C to +70°C)
Humidity Range	0-95% RH	
Altitude Limit	9850 ft / 3000 m	

HZSN1 Series On/Off & Proportional Electric Actuators

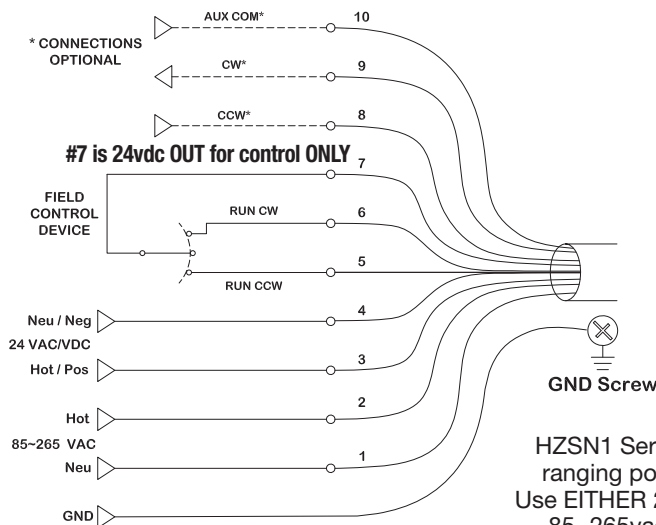
FOR BALL VALVES UP TO 2"



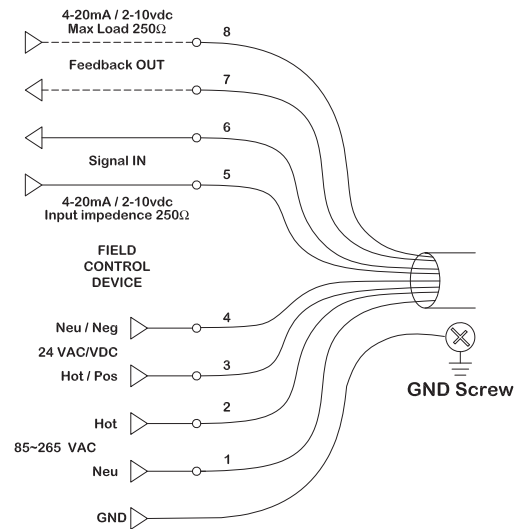
DIMENSIONS

MODEL	A in/mm	A' in/mm	B in/mm	C in/mm	D in/mm	G in/mm	H in/mm	J in/mm	L	WEIGHT lbs/kg	
HZSN1C	4.33 / 110	2.95 / 75	3.44 / 87.5	4.49 / 114	4.37 / 111	.433 / 11	.63 / 16	39.4 / 1000	2.83 / 72	3.5 turns 90°	2.2 / 1.0

No Aux Switches on Modulating Models



ON/OFF WIRING DIAGRAM



PROPORTIONAL WIRING DIAGRAM



Hayward is a registered trademark of Hayward Industries, Inc.
© 2021 Hayward Industries, Inc.