

HRS Series On/Off & Proportional Electric Actuators

OVERVIEW

HRS SERIES ELECTRIC ACTUATORS

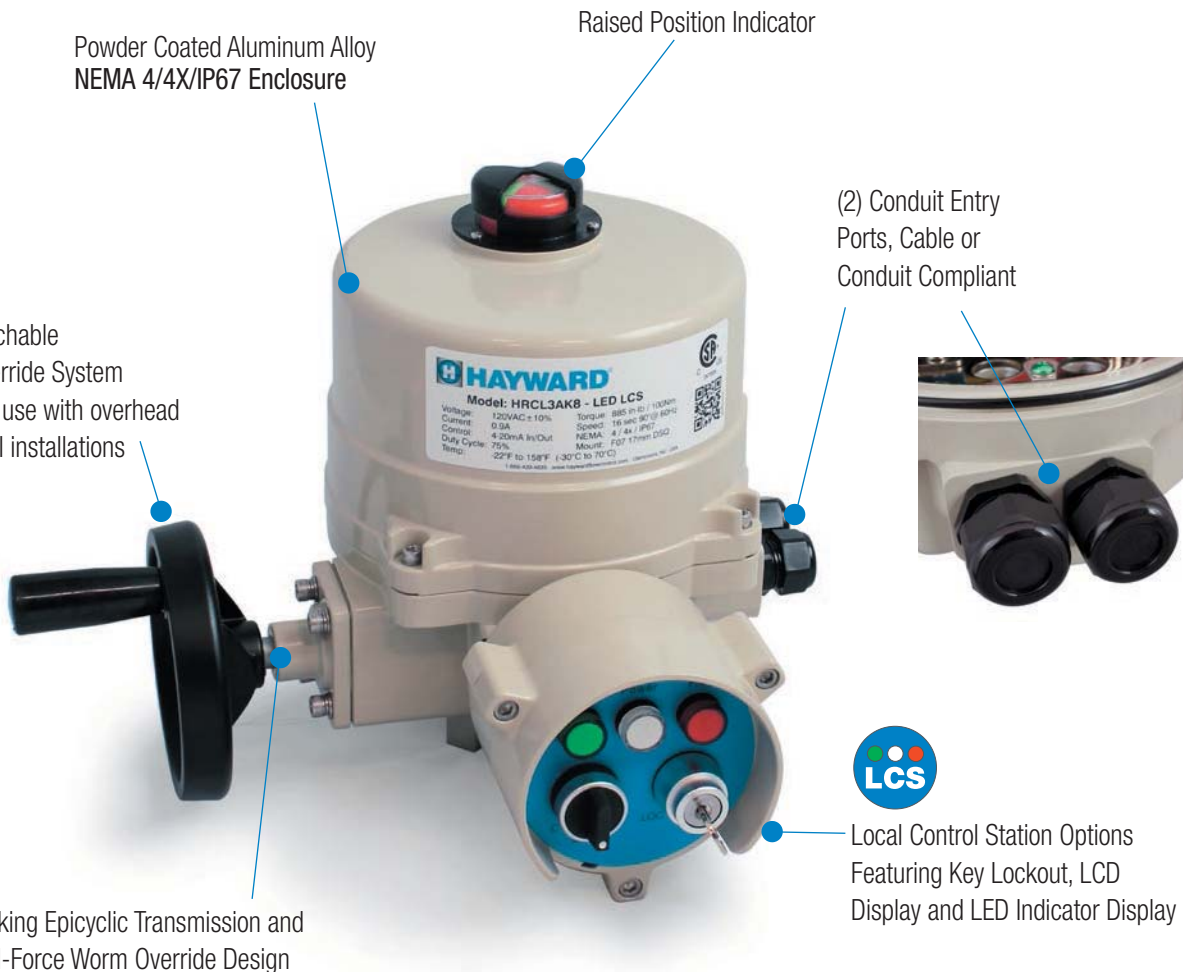


Non-Declutchable
Manual Override System
Suitable for use with overhead
chain-wheel installations

Powder Coated Aluminum Alloy
NEMA 4/4X/IP67 Enclosure

Raised Position Indicator

(2) Conduit Entry
Ports, Cable or
Conduit Compliant



Local Control Station Options
Featuring Key Lockout, LCD
Display and LED Indicator Display

Self Locking Epicyclic Transmission and
Low Pull-Force Worm Override Design



SAFE

Fail-Safe Battery
Backup Options



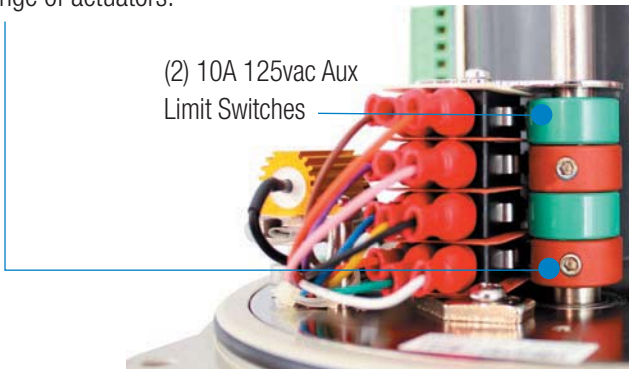
OVERVIEW

Hayward's HRS Series electric actuators are designed and produced to provide years of service in demanding industrial environments such as chemical processing, waste and water treatment, power generation, oil & gas, marine, mining and building services. These quarter-turn units drive dampers, ball valves, butterfly valves or inlet guide vanes that require torque ranges from 300 lbf-in up through 177,000 lbf-in. The HR Series housings are designed to meet NEMA 4X environmental demands, with ISO5211 compliant mounting that readily mounts up to most valves in the industries served. Featuring an epicyclic transmission system, the HR Series provides highly efficient multiplication of motor power to produce uniquely compact torque ranges compared to other technologies. A clutch-free manual override system provides full-time override capabilities during powered or un-powered events, and allows for simple adaptation for overhead chain-wheel drive installations.

UNDER THE HOOD

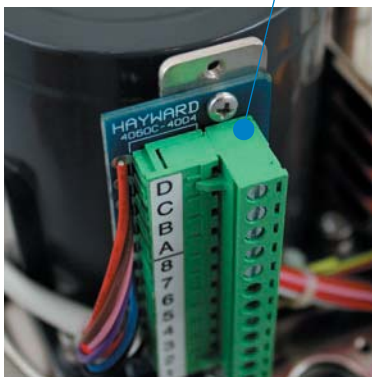
COLOR CODED CAM SYSTEM

Easily accessible travel and auxiliary switch cams are color coded to provide instant recognition of the CW or CCW cams when making stroke adjustments. Cam positions are easily changed by utilizing 2.5mm setscrews across the entire HRS range of actuators.

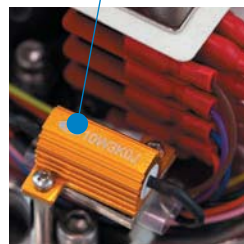


PLUG & PLAY WIRING

Clean, Easily Accessible Internal Wiring Layout, Removable Wire Receiver for Ease of Install



STANDARD ANTI-CONDENSATE HEATER



TORQUE SWITCH



Pre Calibrated Torque Switch, Factory Set and not for field adjustment. Provides the utmost in over torque protection for the most sensitive of applications. All Torque forces are measured mechanically directly from the gear train.

ISO VERSATILITY

Following ISO principle, the Hayward HRS Series line of actuation offers complete versatility with a wide range of ISO compliant flanges and interchangeable drive sockets.

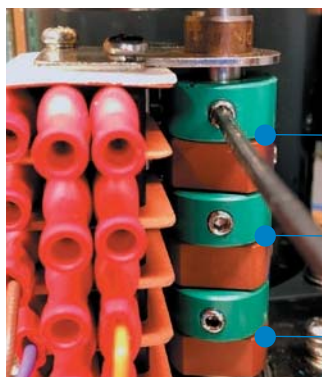
ISO 5211 MOUNTING FLANGE

- Double Square
- Square
- Double D
- Rounded Key



INTERCHANGEABLE BUSHING

Externally Accessible Adjustable Mechanical Stops



- (2) Optional AUX Switches
(Dry Contact Close / Dry Contract Open)
- (2) STANDARD AUX SWITCHES
(Dry Contact Close / Dry Contract Open)
- (2) Motor Close / Motor Open

DIGITAL/ANALOG TIMER KIT

The 7-day timer offers two channels with daily and weekly programming functionality. High accuracy of timing, user-friendly interface and clear LCD display offers convenience and reliability for timing/scheduled applications.



QUICK & DISCOUNTED PRICING
CLICK HERE
 OR CALL (908) 362-9981

HRSN5 Series On/Off & Proportional Electric Actuators



FOR BALL AND BUTTERFLY VALVES UP TO 24"

KEY FEATURES

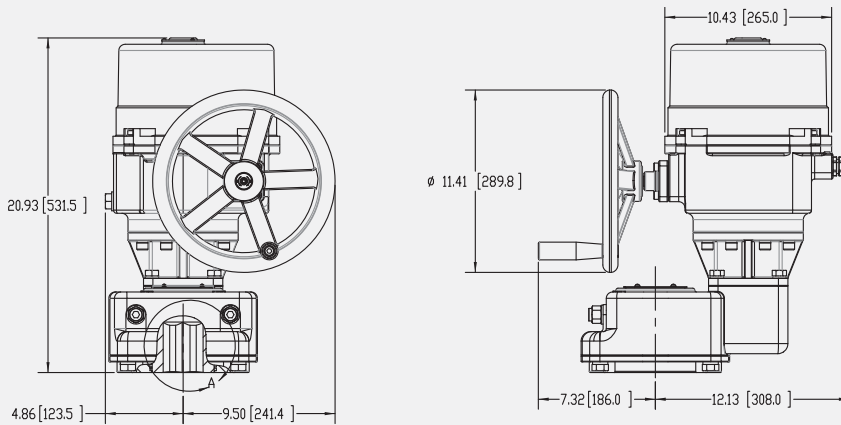
- Units are equipped with two (2) volt-free Form A Auxiliary switches
- ISO5211 compliant mounting with double square female drive
- 120VAC operation standard, 230VAC and 3 Phase options available
- Visual position indicator
- NEMA 4X/IP67 compliant
- Two (2) EMT entry ports with sealed cable glands

OPTIONS

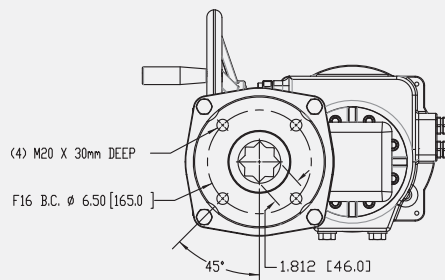
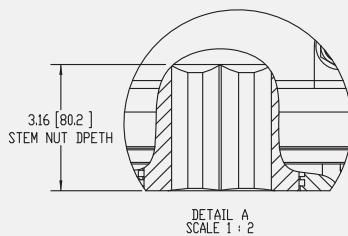
- Local Control Stations
- IP68 Submersion



TECHNICAL INFORMATION

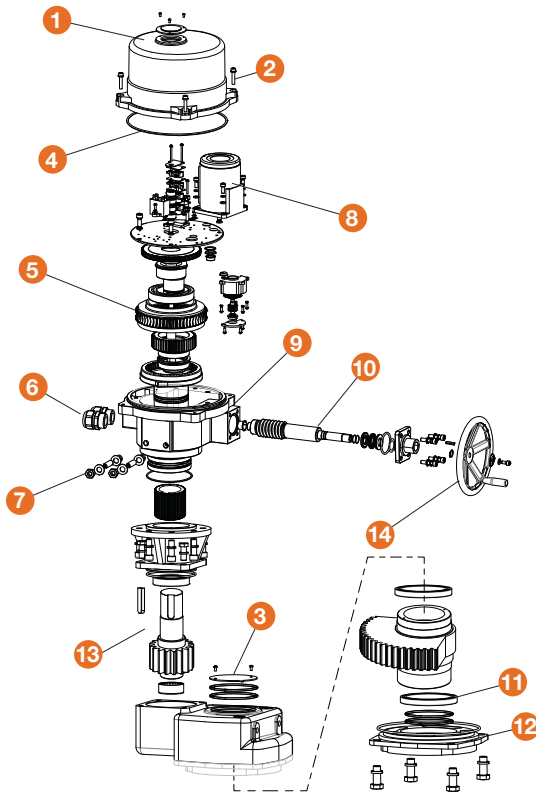


MODEL	COVER REMOVAL CLEARANCE	WEIGHT
	IN/MM	LBS/KG
HRSN5A	9.84 / 250	174 / 79
HRSN5B	9.84 / 250	174 / 79



HRSN5 Series On/Off & Proportional Electric Actuators

FOR BALL AND BUTTERFLY VALVES UP TO 24"



PARTS LIST

1. Cast Aluminum Cover
2. Captured Cover Screws
3. High Visibility Position Indicator
4. Cover O-Ring Seal
5. Epicyclic Transmission Set
6. EMT Glands
7. External Mechanical Stops
8. Drive Motor
9. Cast Aluminum Housing
10. Worm Override Shaft
11. Heavy Final Drive Bearing
12. ISO5211 Flange
13. Sub Transmission
14. Handwheel

ACTUATOR SPECIFICATIONS

		HRSN5A	HRSN5B
Supply*	Torque Output (in-lb / Nm)	30,970 / 3500	44,250 / 5000
120VAC	Current Draw (Start / Run / LRA)	7.2A / 4.5A / 9.4A	7.2A / 4.5A / 9.4A
	Motor - 120V Capacitor Run TENV	200W	200W
230VAC	Current Draw (Start / Run / LRA)	4.1A / 2.2A / 4.5A	4.1A / 2.2A / 4.5A
	Motor - 230V Capacitor Run TENV	200W	200W
220/3ph	Current Draw (Start / Run / LRA)	3.6A / 1.9A / 4.5A	3.6A / 1.9A / 4.5A
	Motor - 220V polyphase TENV	200W	200W
380/3ph	Current Draw (Start / Run / LRA)	2.1A / 1.1A / 2.6A	2.1A / 1.1A / 2.6A
	Motor - 380V polyphase TENV	200W	200W
480/3ph	Current Draw (Start / Run / LRA)	1.2A / 0.9A / 2.1A	1.2A / 0.9A / 2.1A
	Motor - 480V polyphase TENV	200W	200W
575/3ph	575/3 On/Off - Basic Only**	1.0A / 0.7A / 1.9A	1.0A / 0.7A / 1.9A
	Motor - 575V polyphase TENV	200W	200W
On/Off / Proportional	Duty Cycle (IEC60034)	25% (S2-15 min) / 50% (S4-50%)	
	Motor Protection, Temp / Class	155°C / Class F / 180°C / Class H (Single Phase Only)	
	Motor Starts, per hour, Max	600 / 1200	
	Speed (90°) 60Hz/50Hz, seconds	63 / 76	88 / 105
	Environmental Rating	NEMA 4/4X & IP67	
	Electrical Entry (2)	3/4" EMT or Polyamide Gland	
All (as noted)	Control (120/230VAC)	On/Off, Proportional, 2 Pos RO, RC & 3 Position	
	Control (220/3 ~ 480/3)	On/Off, Proportional, in six levels of control and protection (some limited applications)	
	Control (575/3)	On/Off - Basic (follow On/Off - Std Duty performance data)	
	Auxiliary Switch - End of Travel	(2) Form A Volt-Free, Rated 10A @ 250vac	
	Ambient Operating Range	-22°F to +158°F (-30°C to +70°C)	
	Humidity Range	0-95% RH	
	Altitude Limit	9850 ft / 3000 m	

**For use with existing Motor Control Centers only



Hayward is a registered trademark
of Hayward Industries, Inc.
© 2021 Hayward Industries, Inc.



HRSN5 Series On/Off & Proportional Electric Actuators

FOR BALL AND BUTTERFLY VALVES UP TO 24"

3-PHASE

OPTIONS

- Basic Interface
- Phase Correction
- Fault Out
- Local Control Stations
- Complete Integral Motor Control Stations

QUICK & DISCOUNTED PRICING
CLICK HERE
OR CALL (908) 362-9981

TECHNICAL INFORMATION

ACTUATOR SPECIFICATIONS		HRSN5A	HRSN5B
220/3ph	Supply*	Torque Output (in-lb / Nm)	
	On/Off / Proportional	Current Draw (Start / Run / LRA)	
		Speed (90°) 60Hz/50Hz, seconds	
		Motor - 220V polyphase TENV	
		Duty Cycle (IEC60034)	
380/3ph	On/Off / Proportional	Current Draw (Start / Run / LRA)	
		Speed (90°) 60Hz/50Hz, seconds	
		Motor - 380V polyphase TENV	
		Duty Cycle (IEC60034)	
	480/3ph	On/Off / Proportional	Current Draw (Start / Run / LRA)
Speed (90°) 60Hz/50Hz, seconds			
Motor - 480V polyphase TENV			
Duty Cycle (IEC60034)			
575/3ph		On/Off - Basic	575/3 On/Off - Basic Only**
	Current Draw (Start / Run / LRA)		
	Speed (90°) 60Hz/50Hz, seconds		
	Motor - 575V polyphase TENV		
	LCS	Environmental Rating	Duty Cycle (IEC60034)
Motor Protection, Temp / Class			
Motor Starts, per hour, Max			
HRSN Series: NEMA 4/4X & IP67 (optional IP68)			
HRCK Series: NEMA 4/4X & IP65			
All (as noted)	Electrical Entry (2)	HRCB Series: NEMA 4/4X & IP67	
		HRCL Series: NEMA 4/4X & IP67 (optional IP68)	
		HRCB Series: NEMA 4/4X & IP67	
		HRCL Series: NEMA 4/4X & IP67 (optional IP68)	
		HRCB Series: NEMA 4/4X & IP67	
		HRCL Series: NEMA 4/4X & IP67 (optional IP68)	
		HRCB Series: NEMA 4/4X & IP67	
All (as noted)	Control (220/3 ~ 480/3)	3/4" EMT or Polyamide Gland	
		On/Off, Proportional, in six levels of control and protection (some limited applications)	
		On/Off - Basic (follow On/Off - Std Duty performance data)	
		(2) Form A Volt-Free, Rated 10A @ 250vac	
		Ambient Operating Range	
		Humidity Range	
		Altitude Limit	