

Quick & Discounted Pricing
Click Here
 Or Call 908.362.9981

Low Profile - Compact Limit Switch

The compact ALS Series Rotary Limit switch enclosure provides both visual and remote electrical indication of valve position.



Corrosive Environment

Our standard housing is offered with nickel infused or epoxy coating.

Inclusive Mounting Bracket

is supplied as standard, to actuators with NAMUR top-mounting.

High Visibility Indicator

The compact ALS limit switch is designed for applications where space, weight, and cost are of major concern.

Captive Cover Screws

permit cover removal without potential of losing screws.

Low Profile

Compact Body Design

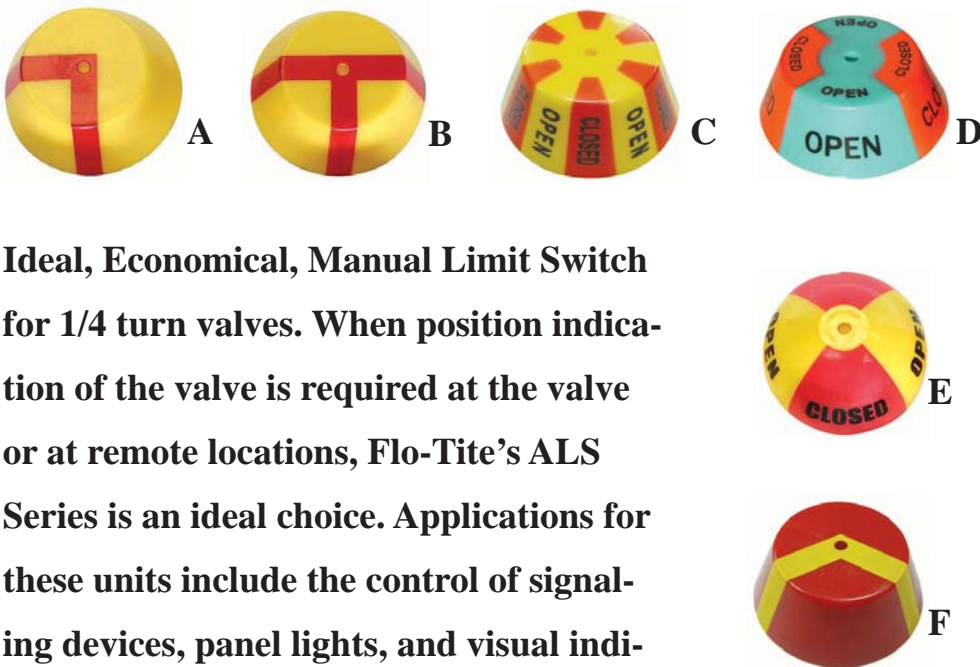
Compact Limit Switch
 STANDARD PRODUCT NUMBER

ALS200

ALS210

ALS310

Variety of Indicator Dome Selections

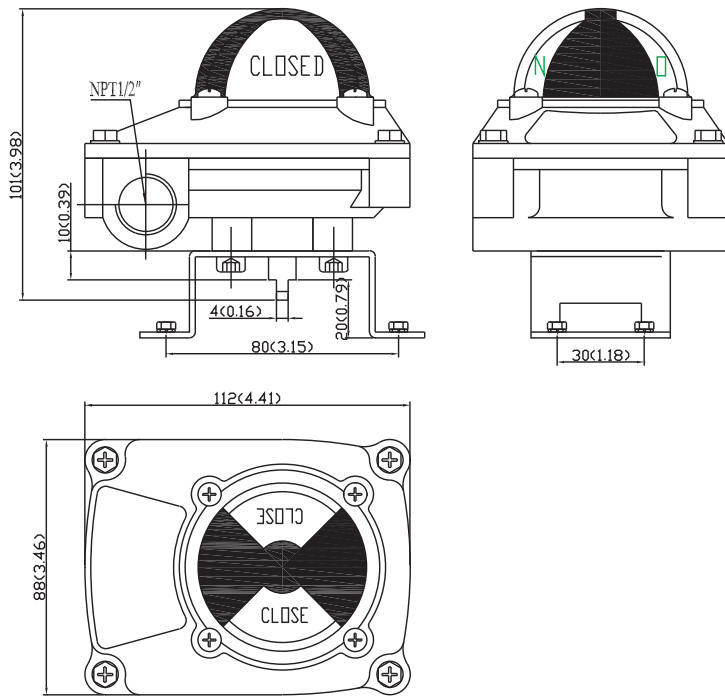


Ideal, Economical, Manual Limit Switch for 1/4 turn valves. When position indication of the valve is required at the valve or at remote locations, Flo-Tite's ALS Series is an ideal choice. Applications for these units include the control of signaling devices, panel lights, and visual indication of the valve position.



Model #
Small Housing ALS-210
Large Housing ALS-310

Technical Data



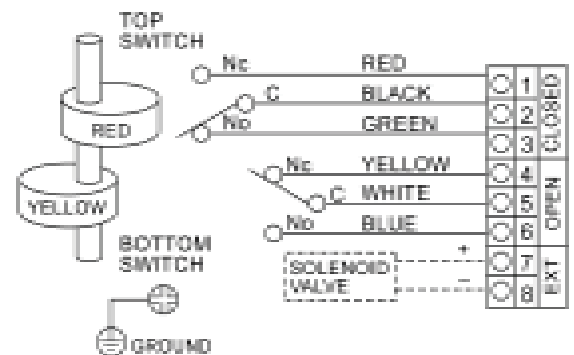
Flo-Tite's ALS Series Limit Switch



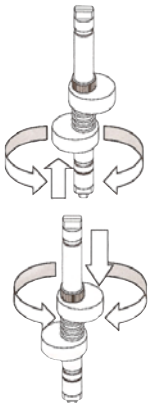
Specifications

Enclosure	Die-cast aluminum, Nickel infused or epoxy powder coating
Weather proof	IP67, Type 4, 4x
Area Classification	N/A
Sealed	Buna-N O-Ring
Sensor(M2)	(2) SPDT Honeywell Mechanical Switches 5A125-250VAC
Visual Display	90° Yellow (open) Red (closed) indicator
Shaft	304 Stainless Steel Namur Shaft
Conduit Entries	(2) 1/2" NPT conduit entries (Optional, 1/2" BSPP, M20-1.5)
Mounting Bracket	MB-1.0: 30 x 80 H:20, (Stainless Steel) 30 x 80 H:30, (CS plated)
Temperature Rating	-68°F-185°F

Wiring Diagram



Limit Switch Adjustment



1. Loosen limit switch box cover screws and remove cover.
2. Rotate actuator to full counterclockwise position. Valve is in fully open or closed position.
3. Lift up bottom cam and turn until switch is activated and then release. Engage cam back onto the splined retainer. Spring will maintain cam engagement.
4. Rotate actuator to full clockwise position. Valve is in fully closed or open position.
5. Push down top cam and turn until switch is activated and then release. Engage cam back onto the splined retainer. Spring will maintain cam engagement.
6. Place cover on limit switch box and tighten. Take care to ensure that housing O-ring is properly located in seal groove.